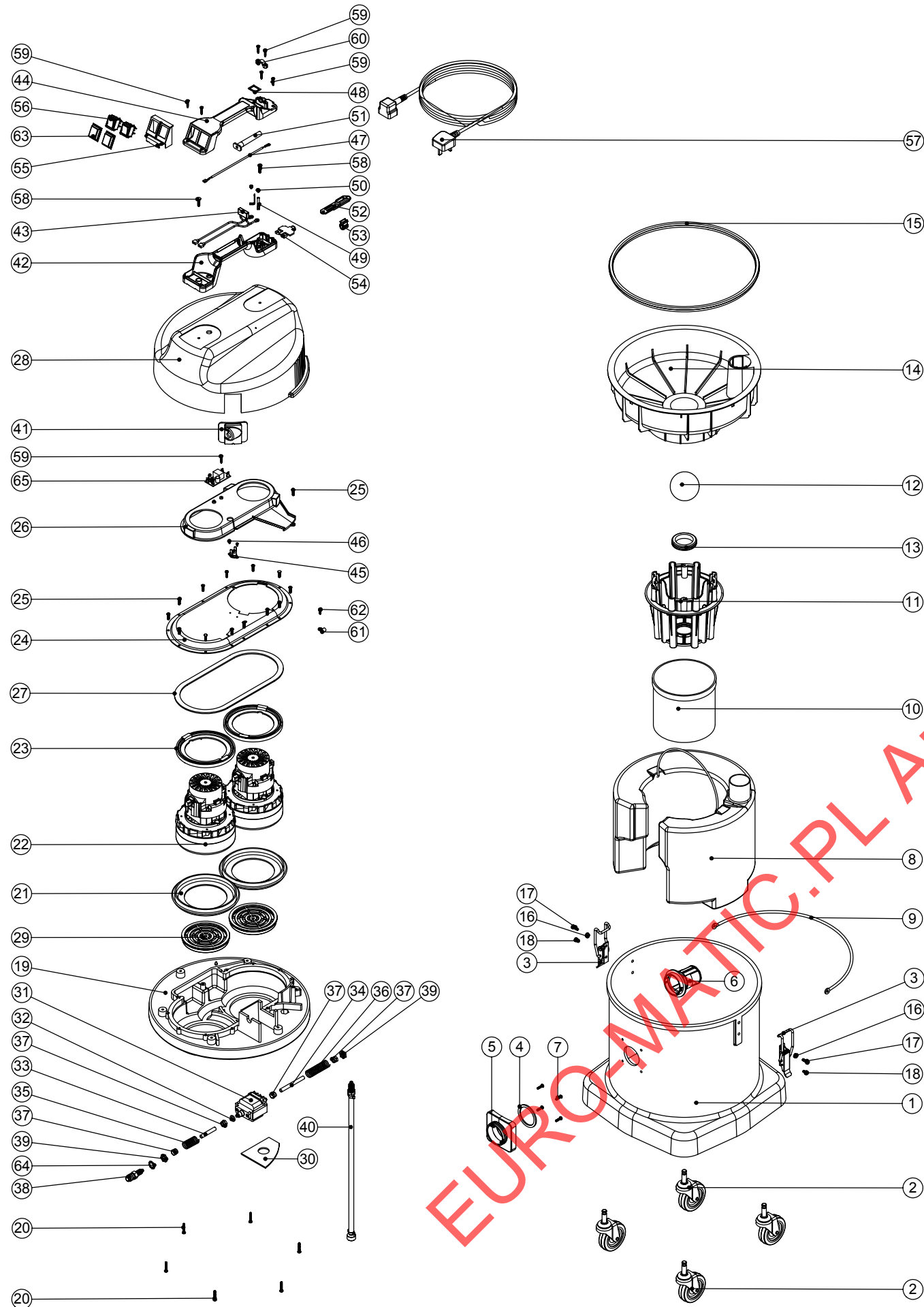


Numatic International Spare Parts

Model No: CTD570-2 EXPLODED DRAWING

234361
DRAWING: EXP-0792 ISS:A01
08/06/2005



Numatic International Spare Parts

Model No: CTD570-2 EXPLODED DRAWING

| POS: | ITEM NO: | DESCRIPTION: | COMMENTS: |
|------|----------|--------------------------------------------------------------|-------------------|
| 1 | 325449 | BLUE DRUM (PROCESSED) | |
| | 325450 | RED DRUM (PROCESSED) | |
| | 325451 | YELLOW DRUM (PROCESSED) | |
| | 325447 | GREY DRUM (PROCESSED) | |
| 2 | 204060 | 3 INCH CASTOR | |
| 3 | 206135 | TOGGLE FASTENER | |
| 4 | 202027 | HOSE FLANGE GASKET | |
| 5 | 270161 | FLANGE NECK BAYONET | |
| 6 | 206493 | WET DRY CONNECTOR | |
| 7 | 219105 | No8 X 5/8 INCH LONG POZI PAN PLASTITE SCREW | |
| 8 | 325161 | FLUID CONTAINER & HANDLE ASSEMBLY | |
| 9 | 418512 | BLACK CRANKED BUCKET HANDLE | |
| 10 | 207073 | GAUZE FILTER | |
| 11 | 225130 | MOULDED FLOAT CAGE | |
| 12 | 206026 | POLYPROP BALL | |
| 13 | 220235 | FLOAT GROMMET | |
| 14 | 225102 | FLOAT MOULDING | |
| 15 | 202036 | FLOAT MOULD EXTRUSION SEAL | |
| 16 | 208025 | SPACER BUCKET HANDLE | |
| 17 | 219045 | M5 X 16MM LONG POZI PAN SEMS SCREW | |
| 18 | 219047 | M5 X 10MM LONG POZI PAN SEMS SCREW | |
| 19 | 301046 | PROCESSED BOTTOM MOTOR HOUSING | |
| 20 | 219369 | No8 X 1 INCH LONG POZI PAN STAINLESS STEEL PLASTITE SCREW | |
| 21 | 202005 | MOTOR BOTTOM GASKET | |
| 22 | 205411 | 240V 2 STAGE D.I BYPASS ACUSTEK MOTOR (BL21104)(MARKED 230V) | |
| | 205410 | 220V 2 STAGE D.I BYPASS ACUSTEK MOTOR (BL21102)(MARKED 230V) | |
| | 205409 | 120V 2 STAGE D.I BYPASS ACUSTEK MOTOR (BL21101) | |
| 23 | 227925 | TOP MOTOR GASKET | |
| 24 | 325526 | TOP MOTOR HOUSING (DUPLEX) | |
| 25 | 219370 | No8 X 5/8 INCH LONG PLASTITE STAINLESS STEEL SCREW | |
| 26 | 227928 | 570 AIR SEPERATOR (LAMB BYPASS MOTOR DUPLEX) | |
| 27 | 202072 | GASKET | |
| 28 | 301049 | PROCESSED COVER MOULDING | |
| 29 | 206010 | FAN GUARD | |
| 30 | 202042 | FLOAT SEALING GASKET | |
| 31 | 216147 | PUMP SMALL BORE 220/240V/50HZ | |
| | 216142 | PUMP SMALL BORE 110V/50HZ | |
| 32 | 219304 | O RING | |
| 33 | 227055 | 48MM LONG BLACK POLYURATHENE TUBE | |
| 34 | 227056 | 78MM LONG BLACK POLYURATHENE TUBE | |
| 35 | 219326 | 50MM LONG COMPRESSION SPRING | |
| 36 | 219327 | 80MM LG COMPRESSION SPRING | |
| 37 | 219299 | BLOCKING NUT | |
| 38 | 216296 | QUICK RELEASE BULK HEAD FITTING | |
| 39 | 219337 | LOCKNUT | |
| 40 | 303167 | SOLUTION TUBE & FILTER ASSEMBLY | |
| 41 | 206112 | QUICK RELEASE FIX PLATE | |
| 42 | 320686 | HANDLE BASE MOULDING | |
| 43 | 220142 | SUPPRESSOR ASSEMBLY | 230V VERSION |
| | 230234 | SUPPRESSOR ASSEMBLY | 220V VERSION |
| | 220558 | SUPPRESSOR ASSEMBLY | 110V VERSION |
| 44 | 227624 | HANDLE COVER | |
| | 227627 | HANDLE COVER HARD WIRE 2 SWITCH | HARDWIRED VERSION |
| 45 | 220532 | THERMOSTAT | |
| 46 | 219491 | M5 X 3MM LONG POZI PAN TAPTITE SCREW | |
| 47 | 320830 | DIODE ASSEMBLY | |
| 48 | 202000 | TERMINAL GASKET | |
| 49 | 206562 | CONTACT PIN | |
| 50 | 219090 | M4 X 8MM LONG POZI PAN SEMS SCREW | |
| 51 | 220923 | STRESS RELIEF | |
| 52 | 227636 | STRAIN RELIEF | |
| 53 | 227637 | CABLE CLIP | |
| 54 | 227632 | TERMINAL COVER & CLAMP | |
| 55 | 227629 | SWITCH MOUNTING BRACKET | |
| 56 | 220843 | BLUE ROCKER SWITCH | |
| 57 | 236009 | 10.0M X 1.00MM X 2 CORE NUCABLE (UK PLUG) | |
| | 236013 | 10.0M X 1.00MM X 2 CORE NUCABLE (EURO PLUG) | |
| | 236017 | 10.0M X 1.00MM X 2 CORE NUCABLE (SWISS PLUG) | |
| | 236021 | 10.0M X 1.00MM X 2 CORE NUCABLE (SOUTH AFRICAN PLUG) | |
| | 236029 | 10.0M X 1.00MM X 2 CORE NUCABLE (AUSTRALIAN PLUG) | |
| | 236065 | 10M X 2CORE X 2.5MM CABLE PLUS 32AMP INDUSTRIAL PLUG | HARDWIRED VERSION |
| 58 | 219546 | M5 X 20MM LONG POZI PAN SEMS SCREW | |
| 59 | 219107 | No6 X 5/8 INCH LONG POZI PAN PLASTITE SCREW | |
| 60 | 227564 | PLUG LOCATION CLAMP | |
| 61 | 226050 | CABLE CLAMP (WHITE P CLIP) | |
| 62 | 219471 | M4 X 12MM LONG POZI PAN SEMS SCREW | |
| 63 | 206573 | SWITCH COVER (PLUG HANDLE) | |
| 64 | 219290 | M12 SHAKEPROOF WASHER | |
| 65 | 220555 | 230V DELAY START MODULE | |
| | 220556 | 115V DELAY START MODULE | |