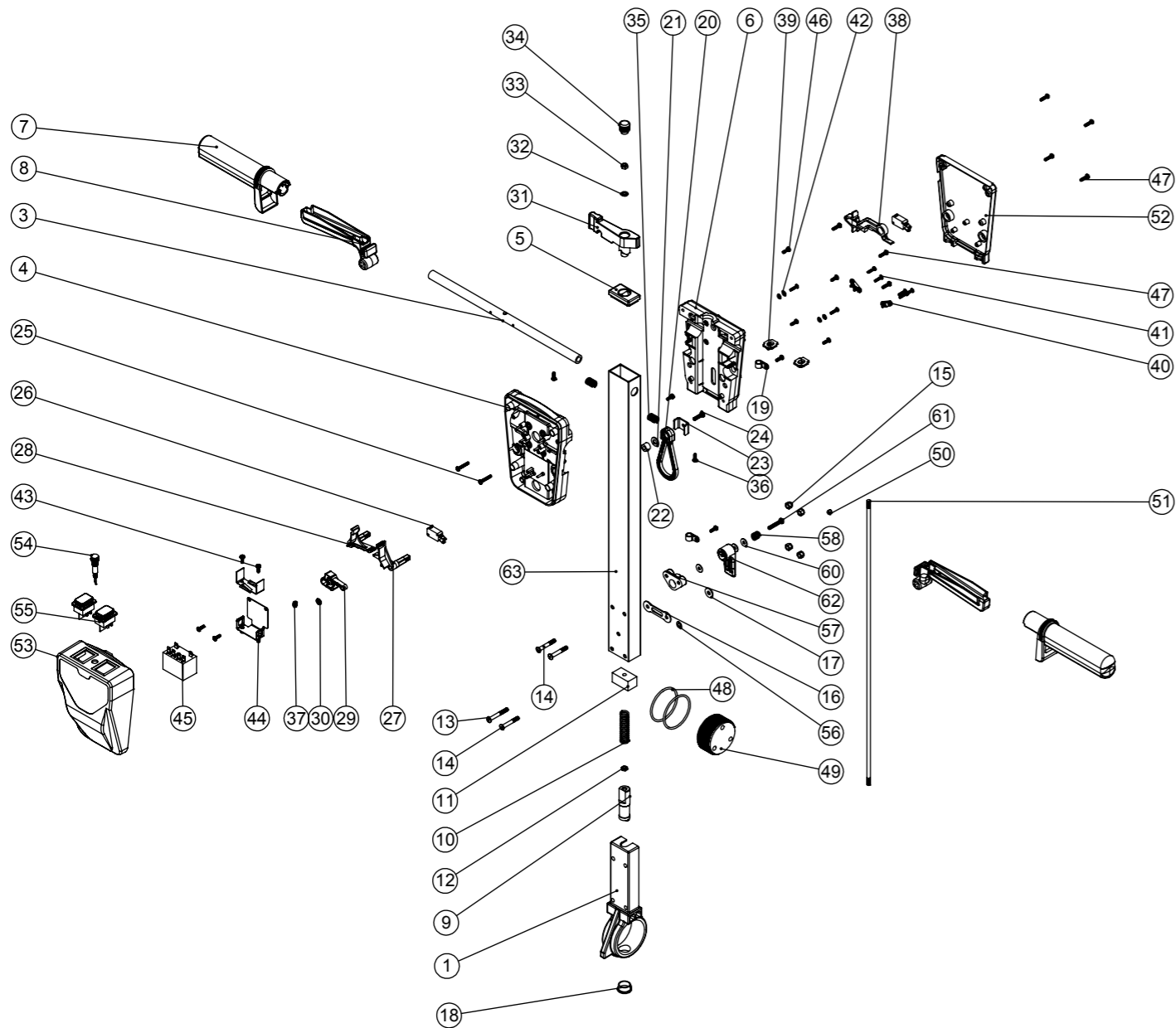


# Numatic International Spare Parts

**Model No:** TT 1840 (MAINS) HANDLE EXPLODED DRAWING ASSEMBLY

234938  
DRAWING: DRW-13355 ISS:A01  
03/04/2013

NB: FOR WIRING SEE DRAWING: DRW-13476



# Numatic International Spare Parts

**Model No:** TT 1840 (MAINS) HANDLE EXPLODED DRAWING ASSEMBLY

ITEM NO.	PART NO.	DESCRIPTION	QTY.
1	229081	HANDLE CASTING MACHINED	1
3	338269	CROSS TUBE	1
4	227576	FRONT INNER HALF MOULDING	1
5	227582	HANDLE PLUG MOULDING	1
6	227577	REAR INNER HALF MOULDING	1
7	227580	HAND GRIP MOULDING	2
8	227581	TRIGGER MOULDING	2
9	229073	GEAR LOCKING PIN	1
10	229138	SPRING	1
11	229030	ANTI VIBRATION PAD	1
12	219099	M6 HALF NUT	1
13	219881	M6 X 45MM SOCKET BUTTON HEAD SCREW	1
14	219807	M6 X 40MM LONG SOCKET BUTTON HEAD BOLT	3
15	219088	M6 NYLON INSERT NUT	4
16	229139	CABLE CLAMP	1
17	219008	M6 FORM G WASHER	1
18	229099	25MM DIA HOLE PLUG	1
19	219393	P CLIP	2
20	226008	STRESS RELIEF	1
21	219010	M8 FORM A WASHER	1
22	226006	SPACER (BLACK)	1
23	329231	STRESS RELIEF BRACKET	1
24	219054	M5 X 20MM LONG POZI PAN SCREW	1
25	219811	NO8 X 1 INCH LONG POZI-PAN SELF TAP SCREW	2
26	229483	SNAP ACTION SWITCH	2
27	227585	LEFT HAND SWITCH OPERATING LEVER MOULDING	1
28	227586	RIGHT HAND SWITCH OPERATING LEVER MOULDING	1
29	227587	CENTRE SWITCH OPERATING LEVER MOULDING	1
30	219805	4MM SPIREFIX	1
31	227583	ADJUSTMENT LEVER MOULDING	1
32	219493	M6 NYLON WASHER	1
33	219642	M6 STAINLESS STEEL NYLON INSERT NUT	1
34	20638V	19MM BLACK TUBE END STOP	1
35	219803	TRIGGER COMPRESSION SPRING	2
36	219270	No8 X 1/2 INCH LONG POZI PAN SELF TAP SCREW	4
37	219804	SWITCH COMPRESSION SPRING	1
38	227584	INTERLOCK LEVER MOULDING	1
39	237467	BLANKING PLUG WITH HOLE	2
40	229669	LOLINE HANDLE CABLE CLAMP	2
41	219107	No6 X 5/8 INCH LONG POZI PAN PLASTITE SCREW	6
42	219206	M4 FORM A WASHER	4
43	219471	M4 X 12MM LONG POZI PAN SEMS SCREW	3
44	303526	NUTSERTED RELAY MOUNTING BRACKET	1
45	206575	240V / 25A RELAY	1
46	219101	No8 X 1/2 INCH LONG POZI PAN PLASTITE SCREW	6
47	219105	No8 X 5/8 INCH LONG POZI PAN PLASTITE SCREW	8
48	219254	O RING 3MM DIA X 60MM I/D	2
49	229074	ADJUSTMENT GEAR	1
50	229009	BLANKING PLUG	1
51	215029	610MM HANDLE LOCKING ROD	1
52	227579	REAR COVER MOULDING	1
53	229748	FRONT COVER MOULDING (MAINS & BATTERY)	1
54	220812	230V NEON INDICATOR & RED LENS	1
55	208757	BLACK DPST ON/OFF SWITCH	2
56	219007	M6 FORM B WASHER	1
57	227806	CABLE RELEASE BASE MOULDING	1
58	206599	SPRING (REF:C5514370)	1
59	219076	M5 NYLON INSERT NUT	1
60	219644	M5 FORM G STAINLESS STEEL WASHER	3
61	219720	M5 X 30MM LONG STAINLESS STEEL POZI PAN SCREW	1
62	227807	CABLE RELEASE TOP MOULDING	1
63	429138	TT 1840 HANDLE TUBE (MAINS) PAINTED	1
64	206500	RELAY BRACKET	1

## WARNING

Seek guidance from Numatic team before use.  
Technical information supplied as guidance for use by suitably qualified personnel only.  
Numatic International Limited accepts no liability for misuse or negligence.



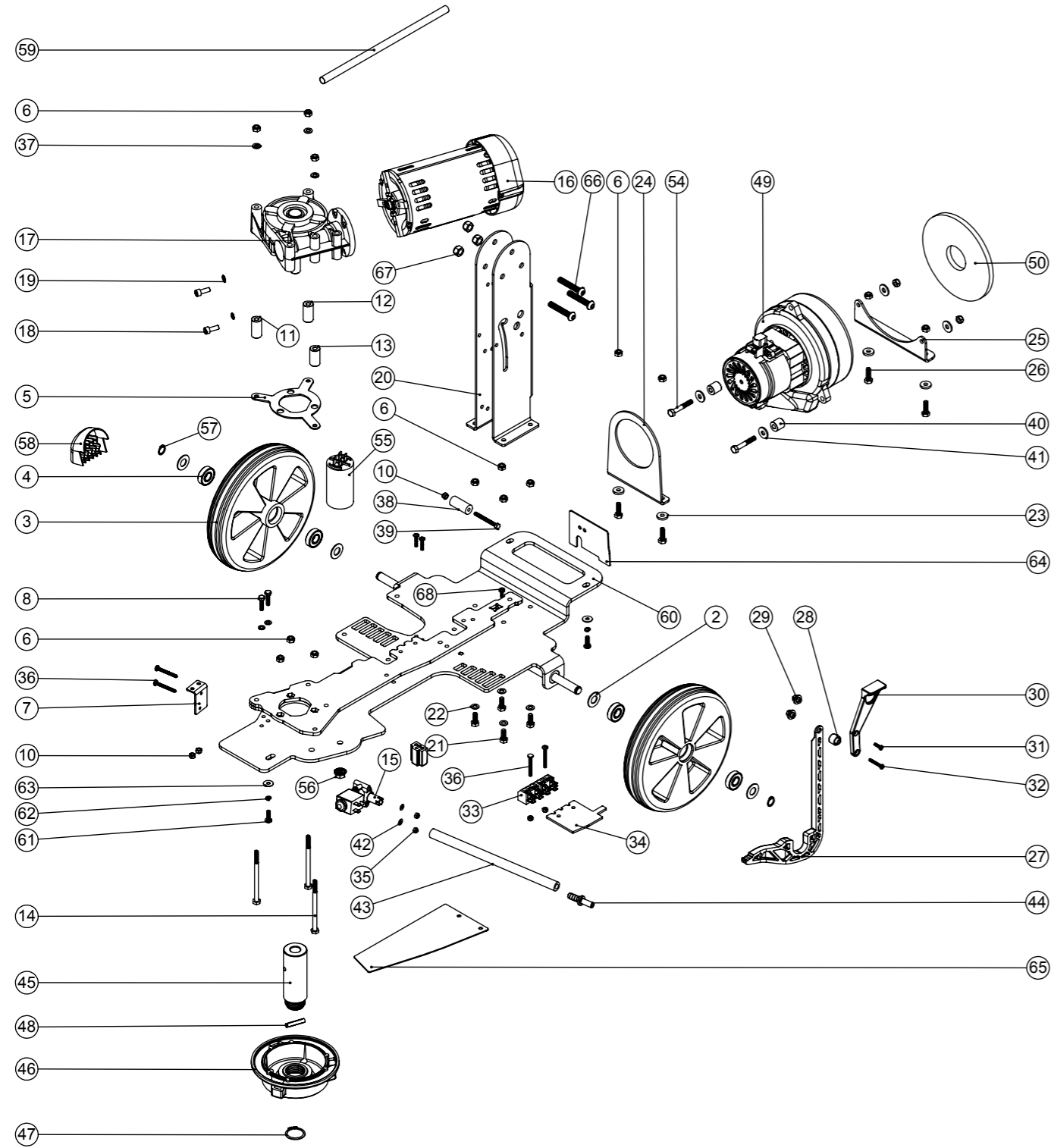
# Numatic International Spare Parts

**Model No:** TT 1840 MAINS BASE ASSEMBLY DRAWING (220-240V 50/60Hz)

NB: FOR WIRING SEE DRAWING: DRW-13476

234937

DRAWING: DRW-13250 ISS:A01  
03/04/2013



# Numatic International Spare Parts

**Model No:** TT 1840 MAINS BASE ASSEMBLY DRAWING (220-240V 50/60Hz)

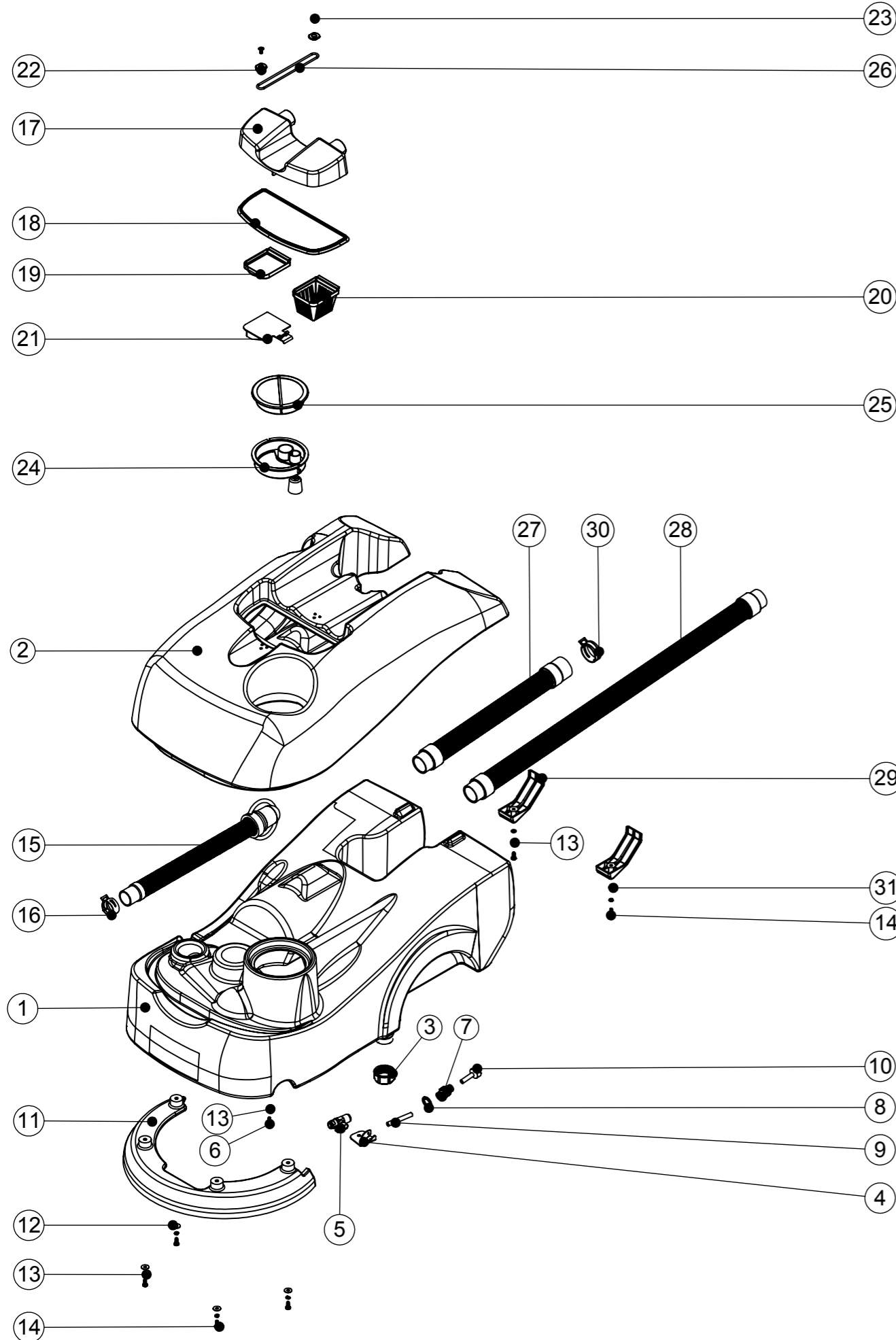
ITEM NO.	PART NO.	DESCRIPTION	QTY.
60	429137	TT 1840 CHASIS (MAINS) Z/PL	1
2	208490	TTB 1840 WHEEL WASHER	4
3	208556	TT/B 1840 WHEEL	2
4	206637	STAINLESS STEEL BEARING	4
5	429127	NUT RETAINING PLATE Z/PL	1
6	219642	M6 STAINLESS STEEL NYLON INSERT NUT	16
7	392117	TTB 1840 SOLENOID BRACKET	1
8	291029	M5.20MM LG.HEX.SCREW S/S	2
9	219355	M5 FORM A STAINLESS STEEL WASHER	2
10	219633	M5 STAINLESS STEEL NYLON INSERT NUT	3
11	208461	30MM GEARBOX SPACER	1
12	208460	29MM GEARBOX SPACER	1
13	208459	28MM GEARBOX SPACER	1
14	291021	M6 X 90MM LONG STAINLESS STEEL HEXAGONAL HEAD BOLT	3
15	220348	SOLENOID VALVE 240V 50/60HZ	1
16	205255	220-240V 50/60Hz BRUSH DRIVE MOTOR WITH FAN	1
17	206754	EMD GEARBOX (GB12) (18.67:1 RATIO)	1
17	206791	EMD GEARBOX (GB12) (21:1 RATIO) - 60Hz MACHINES ONLY	1
18	219887	M6 X 16MM STAINLESS STEEL CAP HEAD SCREW	2
19	219544	M6 SHAKEPROOF WASHER	2
20	392092	TTB 1840 HANDLE MOUNTING BRACKET	1
21	219719	M6 X 16MM LONG HEXAGONAL STAINLESS STEEL HEAD BOLT	4
22	219560	M6 FORM B STAINLESS STEEL WASHER	4
23	208472	RUBBER SPACER	4
24	429124	TTB 1840 FRONT MOTOR PLATE	1
25	429125	TTB 1840 REAR VAC MOTOR PLATE	1
26	219976	M6 X 20MM LONG HEXAGONAL HEAD SET SCREW	4
27	237238	TTB 1840 SQUEEGEE LIFT ARM	1
28	237240	TTB 1840 LIFT SPACER	1
29	237241	TTB 1840 SCREW END	2
30	237239	TTB 1840 SQUEEGEE LIFT HANDLE	1
31	219667	No6 X 1/2" LONG PLASTITE SCREW	1
32	219602	No6 X 1 INCH LONG POZI PAN PLASTITE SCREW	1
33	208532	TAB TERMINAL BLOCK 2 POLE	2
34	392317	RAISER PLATE	1
35	219687	M4 STAINLESS STEEL NYLON INSERT NUT	4
36	219703	M4 X 35MM LONG STAINLESS STEEL POZI PAN SCREW	4
37	219870	M6 FORM A WASHER STAINLESS STEEL	3
38	208465	TTB 1840 HANDLE SPACER	1
39	219706	M5 X 45MM LONG STAINLESS STEEL HEXAGONAL BOLT	1
40	229187	15MM SPACER	2
41	219008	M6 FORM G WASHER	4
42	219688	M4 FORM A STAINLESS STEEL WASHER	2
43	303962	SOLENOID TUBE (230MM)	1
44	206796	BARBED CONNECTOR	1
45	208447	TTB 1840 DRIVE SHAFT	1
46	314050	TTB 1840 MODIFIED CHUCK	1
47	230048	26MM EXTERNAL CIRCLIP	1
48	219523	GROOVED PIN	1
49	205254	220-240V 2 STAGE VACUUM MOTOR WITH TANGENTIAL DISCHARGE AND TUBE	1
50	208477	MOTOR PAD	1
54	21965V	M6 X 40MM LONG HEX BOLT	2
55	220876	20 MFD MOTOR RUN CAPACITOR (450V)	1
56	219754	M8 FLANGED NUT	1
57	219345	12MM EXTERNAL CIRCLIP	2
58	237218	TTB 1840 VAC DIFFUSER	1
59	330103	MOTOR WIRE SLEEVE (260MM CUT LENGTH)	1
61	219547	M5 X 16MM LONG POZI PAN STAINLESS STEEL SCREW	3
62	219861	M5 SINGLE COIL STAINLESS STEEL WASHER	3
63	219644	M5 FORM G STAINLESS STEEL WASHER	3
64	304461	TT1840 REAR SPLASH PLATE	1
65	304462	TT1840 MOTOR SPLASH PLATE	1
66	219822	M8 X 45MM LONG SOCKET BUTTON STAINLESS STEEL HEAD BOLT	3
67	219639	M8 STAINLESS STEEL NYLON INSERT NUT	3
68	219471	M4 X 12MM LONG POZI PAN SEMS SCREW	1
69	237532	UPPER LIFT BLOCK	1

# Numatic International Spare Parts

**Model No:** TT 1840 TANK ASSEMBLY EXPLODED DRAWING

234939  
DRAWING: DRW-13251 ISS:A01  
27/02/2013

NB: FOR WIRING SEE DRAWING: WD-0???



# Numatic International Spare Parts

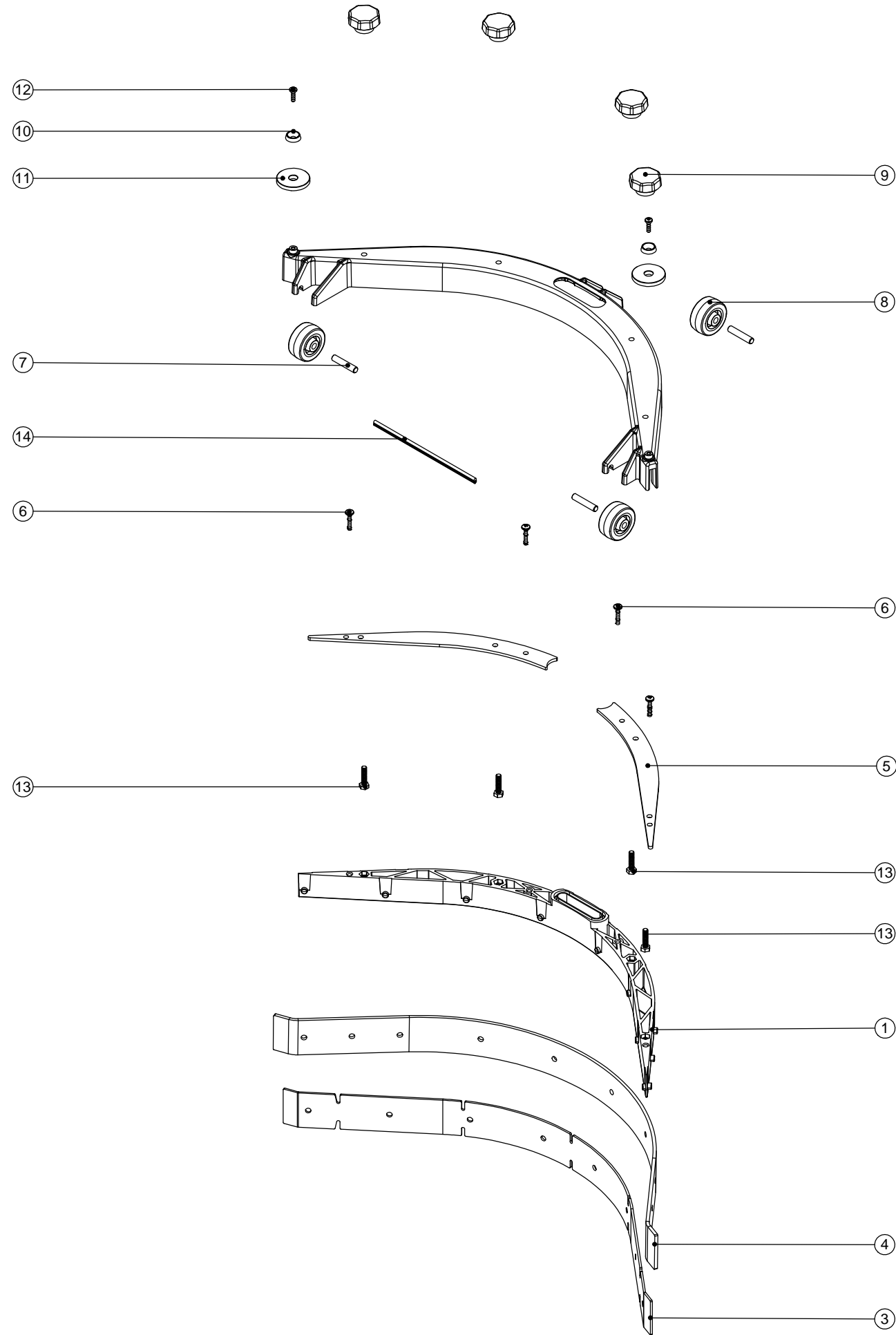
**Model No:** TT 1840 TANK ASSEMBLY EXPLODED DRAWING

ITEM NO.	PART NO.	DESCRIPTION	QTY.
1	237464	TT 1840 CLEAN TANK (MAINS)	1
2	237465	TTB 1840 COLLECTION TANK	1
3	208448	TANK DRAIN CAP	1
4	392125	TTB 1840 TAP PLATE	1
5	216260	MINI BALL VALVE	1
6	219668	M5 X 10MM LONG POZI PAN STAINLESS STEEL SCREW	1
7	208522	8MM PUSH FIT METAL BULKHEAD FITTING	1
8	208525	BONDED SEAL	1
9	303960	TANK FILTER TUBE	1
10	303961	TANK FILTER ASSEMBLY	1
11	237233	TTB 1840 DECK MOULDING	1
12	219644	M5 FORM G STAINLESS STEEL WASHER	4
13	219861	M5 SINGLE COIL STAINLESS STEEL WASHER	7
14	219740	M5 X 12MM LONG STAINLESS STEEL POZI PAN SCREW	6
15	303997	TTB 1840 DUMP HOSE ASSEMBLY	1
16	208471	CONSTANT TENSION CLIP	1
17	237230	TTB 1840 SEPARATOR MOULDING	1
18	237418	TTB 1840 SEPARATOR SEAL MOULDING	1
19	237232	TTB 1840 AIR FILTER PANEL	1
20	237411	TOP TANK FILTER	1
21	237231	TTB 1840 SHUT OFF FLAP	1
22	237397	O RING CLIP MOULDING	2
23	291008	M5 X 10MM LONG POZI PAN COUNTERSUNK STAINLESS STEEL SCREW	2
24	303985	TTB 1840 FILLER CAP ASSEMBLY	1
25	237268	FILLER CAP LID	1
26	208715	O RING (3mmDIA.95mm)	1
27	213055	TTB 1840 VAC HOSE C/W CUFFS	1
28	213054	SUCTION HOSE	1
29	237466	SKID PLATE MOULDING	2
30	208537	VAC HOSE CONSTANT TENSION CLIP	1
31	219355	M5 FORM A STAINLESS STEEL WASHER	2

**Numatic International Spare Parts**

**Model No:** TTB 1840 SQUEEGEE EXPLODED DRAWING ASSEMBLY

234807  
DRAWING: DRW-7011 ISS:A02  
26/10/2011



**Numatic International Spare Parts**

**Model No:** TTB 1840 SQUEEGEE EXPLODED DRAWING ASSEMBLY

ITEM NO.	Item_No	DESCRIPTION	QTY.
1	237235	TTB 1840 SQUEEGEE INNER MOULDING	1
2	237236	TTB 1840 SQUEEGEE OUTER MOULDING	1
3	208456	TTB 1840 SQUEEGEE FRONT BLADE	1
4	208457	TTB 1840 SQUEEGEE REAR BLADE	1
5	429130	TTB 1840 SQUEEGEE SIDE PLATE Z/PL	2
6	219568	No8 X 3/4 INCH LONG POZI PAN STAINLESS STEEL SCREW	4
7	391397	TTB 1840 SQUEEGEE AXLE	3
8	208454	TTB 1840 SQUEEGEE WHEEL	3
9	208455	TTB 1840 SQUEEGEE KNOB	4
10	219573	SCREW INSULATOR	2
11	237266	TTB 1840 BUFFER WHEEL	2
12	219318	No6 X 1/2 INCH LONG POZI PAN PLASTITE SCREW	2
13	291029	M5.20MM LG.HEX.SCREW.Z/PL	4
14	209077	SQUEEGEE SEAL EXTRUSION	1