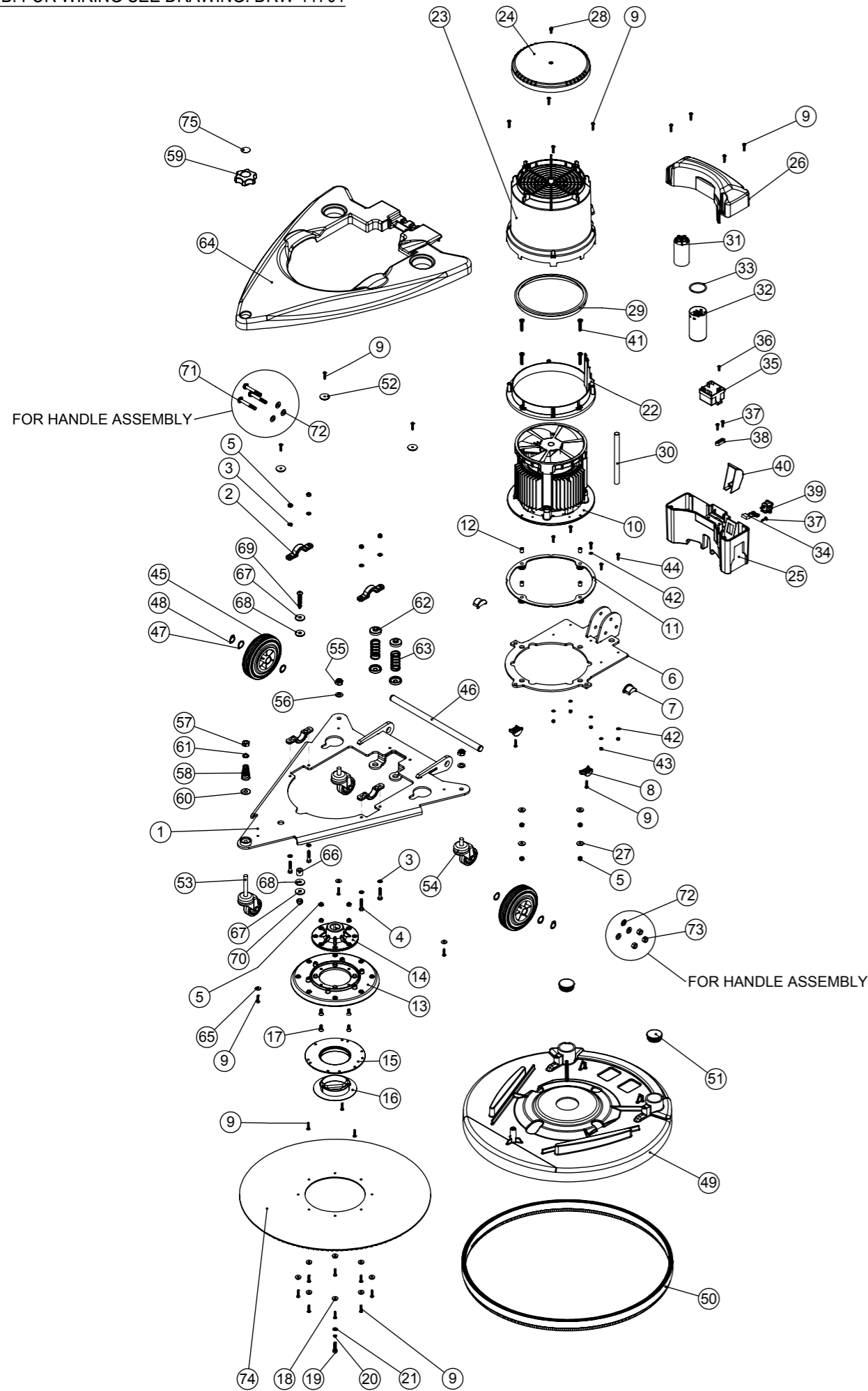


Numatic International Spare Parts

Model No: HNS-1550 BASE ASSEMBLY EXP

DRAWING: DRW-15027 ISS:A01.08

NB: FOR WIRING SEE DRAWING: DRW-11701



Numatic International Spare Parts

Model No: HNS-1550 BASE ASSEMBLY EXP

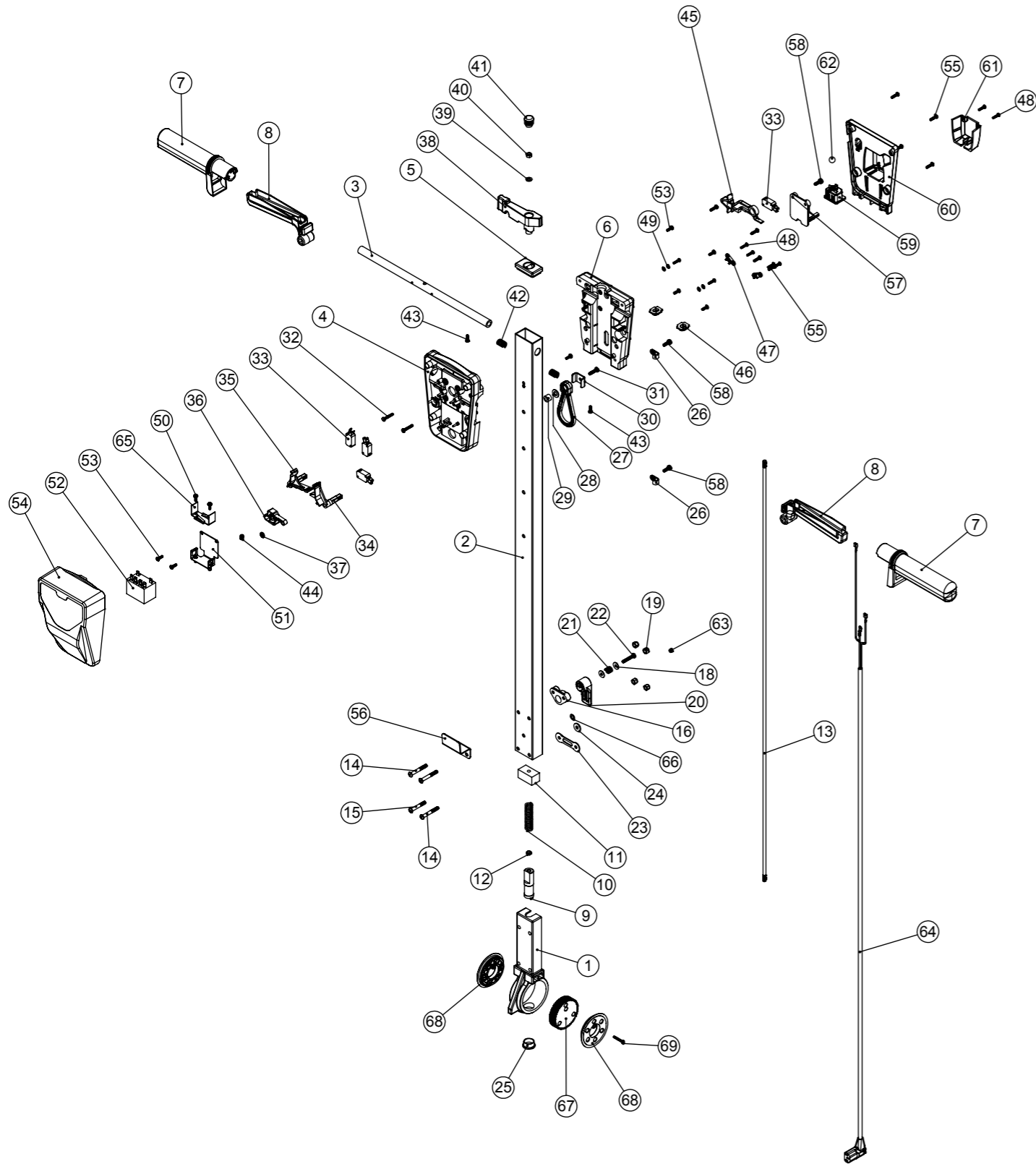
ITEM:	PART No:	Description	QTY.
1	900079	MAIN PLATE WELDED ASSEMBLY	1
2	900114	PIVOT SUPPORT CASTING	4
3	219560	M6 FORM B STAINLESS STEEL WASHER	8
4	291022	M6 X 30MM LONG STAINLESS STEEL HEXAGONAL HEAD BOLT	4
5	219642	M6 STAINLESS STEEL NYLON INSERT NUT	12
6	900087	MOTOR PLATE WELDED ASSEMBLY	1
7	900100	CENTRE PIVOT BOTTOM MOULDING	2
8	900099	CENTRE PIVOT TOP MOULDING	2
9	219568	No8 X 3/4 INCH LONG POZI PAN STAINLESS STEEL SCREW	27
10	205160	INDUCTION MOTOR 4-POLE 1500W 220-240V 50Hz	1
11	227557	BOTTOM MOTOR GASKET	1
12	900112	11MM X OD 8.75MM SPACER	4
13	900124	DRIVE BOARD SUPPORT MOULDING	1
14	900110	COUPLING CASTING	1
15	217501	CENTRE MOULDING TYPE A	1
16	217500	PAD HOLDER CLIP MOULDING	1
17	291012	M6 X 16MM LONG COUNTERSUNK MILD STEEL Z/PL SOCKET SCREW	4
18	219573	SCREW INSULATOR	8
19	219925	M6 x 25MM LONG STAINLESS STEEL HEX SCREW	1
20	219718	M6 STAINLESS STEEL SPRING WASHER	1
21	219870	M6 FORM A WASHER STAINLESS STEEL	1
22	237500	BOTTOM SECTION MOULDING	1
23	330082	HFM MID SECTION MOULDING PRINTED (1500W)	1
24	237503	LID MOULDING (HFM)	1
25	330081	HFM CAPACITOR BOX BOTTOM MOULDING C/W INSERT	1
26	237505	HFM CAPACITOR BOX TOP MOULDING	1
27	219647	M6 FORM G STAINLESS STEEL WASHER	4
28	219471	M4 X 12MM LONG POZI PAN SEMS SCREW	1
29	237412	HFM TOP MOTOR GASKET	1
30	330086	MOTOR WIRE SLEEVE	1
31	220897	MOTOR RUN CAPACITOR 25 MFD 450V	1
32	205088	MOTOR START CAPACITOR 150MFD 280V C/W RESISTOR AND M8 STUD	1
33	208534	O RING 39.5MM ID x 3 DIA	1
34	230136	SUPPRESSOR ASSEMBLY	1
35	206823	230V SINGLE SPEED VOLTAGE RELAY	1
36	219318	No6 X 1/2 INCH LONG POZI PAN PLASTITE SCREW	1
37	219914	NO6 X 5/8 INCH LONG POZI-PAN PLASTITE STAINLESS STEEL SCREW	3
38	227008	BLACK CABLE CLAMP	1
39	220584	RENDAR CLIP IN PLUG	1
40	229213	PLUG COVER	1
41	219984	M6 X 30MM LG POZI-PAN STAINLESS STEEL MACHINE SCREW	4
42	219688	M4 FORM A STAINLESS STEEL WASHER	6
43	219687	M4 STAINLESS STEEL NYLON INSERT NUT	5
44	219862	M4 X 16MM LONG POZI PAN STAINLESS STEEL SCREW	5
45	229060	WHEEL GREY BLACK HUB	2
46	900109	AXLE	1
47	219219	21.5MM X 16.3MM WAVE WASHER	4
48	229051	EXTERNAL CIRCLIP	2
49	900088	DECK MOULDING	1
50	900113	BURNISHER EXTRUSION WITH BRUSH FILL (CUT TO 1730MM MAX)	1
51	229400	BLACK END STOP	2
52	900122	WASHER (OD25MM ID5MM)	3
53	900105	50MM CASTOR WITH GREY RUBBER TYRE M10 X 70	1
54	900106	50MM CASTOR WITH GREY RUBBER TYRE M10 X 20	2
55	219897	M10 STAINLESS STEEL NYLON INSERT NUT	2
56	219903	M10 FORM A STAINLESS STEEL WASHER	2
57	219963	M10 STAINLESS STEEL FULL NUT	1
58	229175	CONICAL SPRING	1
59	208354	M10 LOBE KNOB	1
60	900119	SPACER	1
61	900120	WASHER (OD16MM ID10MM)	1
62	900121	SPRING RETAINER MOULDING	4
63	208782	SPRING (C5517490)	2
64	900118	CHASSIS COVER MOULDING	1
65	219644	M5 FORM G STAINLESS STEEL WASHER	3
66	900104	SPACER	1
67	900115	SPACER	2
68	900116	WASHER (OD25MM ID8MM)	2
69	219822	M8 X 45MM LONG SOCKET BUTTON STAINLESS STEEL HEAD BOLT	1
70	219639	M8 STAINLESS STEEL NYLON INSERT NUT	1
71	219066	M8X55MM LG.HEX.BOLT STAINLESS	3
72	219010	M8 FORM A WASHER	6
73	219078	M8 NYLON INSERT NUT	3
74	900103	BURNISHER 508MM DRIVE BOARD	1
75	900133	LOAD STICKER	1

Numatic International Spare Parts

Model No: HNS-1550 HANDLE ASSEMBLY EXP

DRAWING: DRW-17943 ISS:A01.00

NB: FOR WIRING SEE DRAWING: DRW-11789

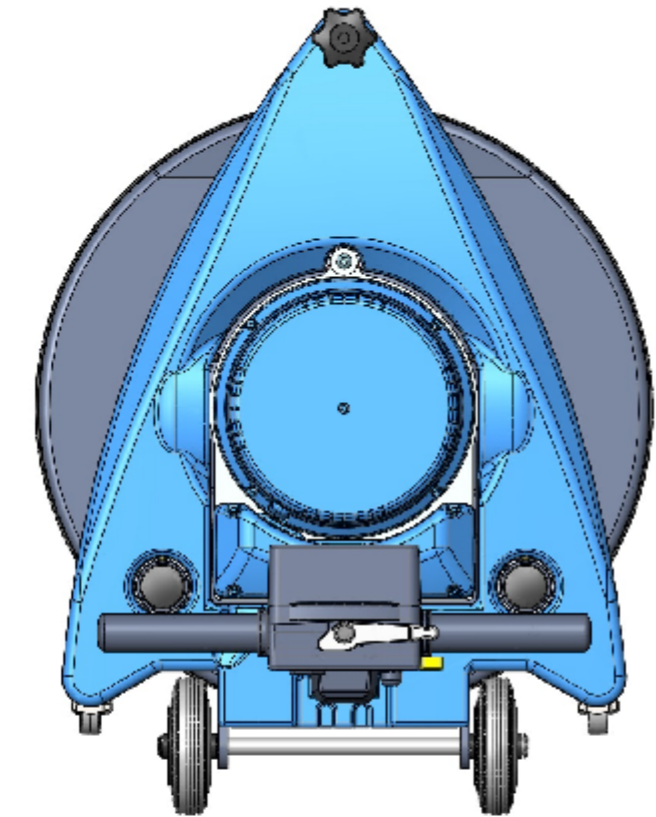
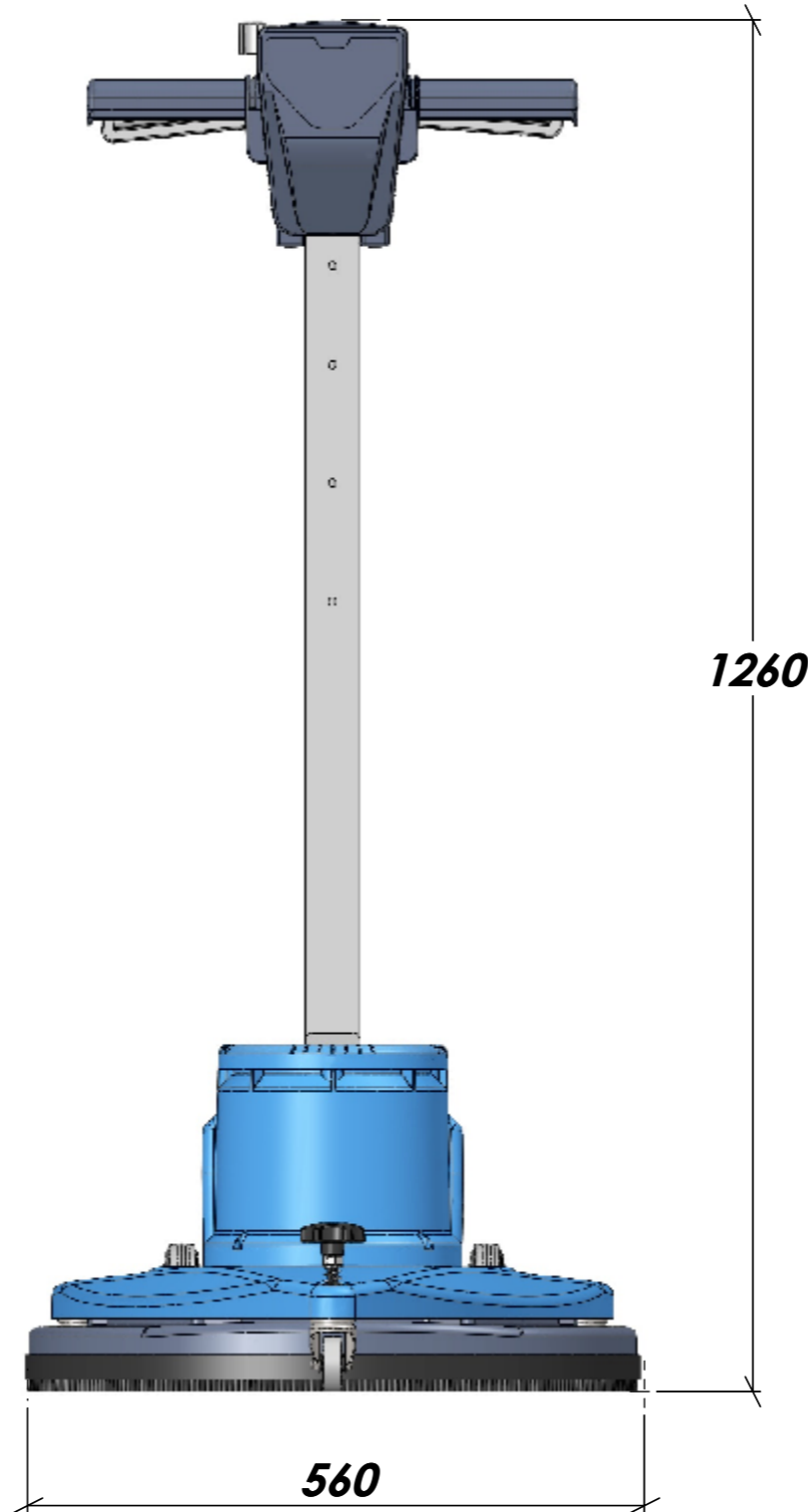


Numatic International Spare Parts

Model No: HNS-1550 HANDLE ASSEMBLY EXP

ITEM:	PART No:	Description	Comments	QTY.
1	900398	HANDLE CASTING MACHINED (MODIFIED 229081)		1
2	429136	HFM HANDLE TUBE PAINTED (1025mm)		1
3	338269	CROSS TUBE		1
4	227576	FRONT INNER HALF MOULDING		1
5	227582	HANDLE PLUG MOULDING		1
6	227577	REAR INNER HALF MOULDING		1
7	227580	HAND GRIP MOULDING		2
8	227581	TRIGGER MOULDING		2
9	229073	GEAR LOCKING PIN		1
10	229138	SPRING		1
11	229030	ANTI VIBRATION PAD		1
12	219099	M6 HALF NUT		1
13	208432	1035MM HANDLE LOCKING ROD		1
14	219881	M6 X 45MM SOCKET BUTTON HEAD SCREW		3
15	219807	M6 X 40MM LONG SOCKET BUTTON HEAD BOLT		1
16	227806	CABLE RELEASE BASE MOULDING		1
17	219076	M5 NYLON INSERT NUT		1
18	219644	M5 FORM G STAINLESS STEEL WASHER		3
19	219088	M6 NYLON INSERT NUT		4
20	227807	CABLE RELEASE TOP MOULDING		1
21	206599	SPRING (REF:C5514370)		1
22	219720	M5 X 30MM LONG STAINLESS STEEL POZI PAN SCREW		1
23	229139	CABLE CLAMP		1
24	219008	M6 FORM G WASHER		1
25	229099	25MM DIA HOLE PLUG		1
26	219393	P CLIP		2
27	226008	STRESS RELIEF		1
28	219010	M8 FORM A WASHER		1
29	226006	SPACER (BLACK)		1
30	329231	STRESS RELIEF BRACKET		1
31	219054	M5 X 20MM LONG POZI PAN SCREW		1
32	219811	NO8 X 1 INCH LONG POZI-PAN SELF TAP SCREW		2
33	229483	SNAP ACTION SWITCH		4
34	227585	LEFT HAND SWITCH OPERATING LEVER MOULDING		1
35	227586	RIGHT HAND SWITCH OPERATING LEVER MOULDING		1
36	227587	CENTRE SWITCH OPERATING LEVER MOULDING		1
37	219805	4MM SPIREFIX		1
38	227583	ADJUSTMENT LEVER MOULDING		1
39	219493	M6 NYLON WASHER		1
40	219642	M6 STAINLESS STEEL NYLON INSERT NUT		1
41	20638V	19MM BLACK TUBE END STOP		1
42	219803	TRIGGER COMPRESSION SPRING		2
43	219270	NO8 X 1/2 INCH LONG POZI PAN SELF TAP SCREW		2
44	219804	SWITCH COMPRESSION SPRING		1
45	227584	INTERLOCK LEVER MOULDING		1
46	237467	BLANKING PLUG WITH HOLE		2
47	229669	LOLINE HANDLE CABLE CLAMP		2
48	219107	NO6 X 5/8 INCH LONG POZI PAN PLASTITE SCREW		8
49	219206	M4 FORM A WASHER		4
50	219471	M4 X 12MM LONG POZI PAN SEMS SCREW		3
51	303526	NUTSERTED RELAY MOUNTING BRACKET		1
52	206575	240V / 25A RELAY		1
53	219101	NO8 X 1/2 INCH LONG POZI PAN PLASTITE SCREW		6
54	229679	TRADELIN TWINTEC HANDLE FRONT COVER MOULDING		1
55	219105	NO8 X 5/8 INCH LONG POZI PAN PLASTITE SCREW		8
56	329000	HANDLE BRACKET		1
57	237425	PTO SUPPORT MOULDING		1
58	219045	M5 X 16MM LONG POZI PAN SEMS SCREW		4
59	220964	APPLIANCE OUTPUT SOCKET		1
60	237426	FM REAR COVER MOULDING		1
61	237427	FM PLUG COVER MOULDING		1
62	229050	12MM (STAINLESS STEEL) BALL BEARING		1
63	229009	BLANKING PLUG		1
64	236161	HFM HANDLE CORD SET ASSEMBLY		1
65	206500	RELAY BRACKET		1
66	219007	M6 FORM B WASHER		1
67	900397	MINI ADJUSTMENT GEAR		1
68	900396	ADJUSTMENT GEAR SPACER		2
69	291150	NO6 X 1 INCH LONG POZI PAN SCREW S/S		1

THIRD ANGLE PROJECTION



POWER	1500W 220-230V AC
WEIGHT	35Kg (77lb)
PAD SPEED	1500 R.P.M.
PAD SIZE	508mm (20")
PAD PRESSURE	VARIABLE
CLEANING RANGE	32m
TOTAL WEIGHT WITH EMPTY VACUUM	39.5Kg (87lb)
SOUND PRESSURE	<70 dB(A)
HAV (Uncertainty 20%)	1.66 m/s2

Provisional

All components must be ROHS compliant.

Numatic INTERNATIONAL LTD MILLFIELD ROAD, CHARD, SOMERSET ENGLAND TA20 2GB

THE EXAMPLE SHOWN DETAILS THE METHOD USED FOR IDENTIFYING CRITICAL (INSPECTION) DIMENSIONS WHERE APPLICABLE

TOLERANCES:- LINEAR: 0 DECIMAL PLACES = +/- 1.0mm
 1 DECIMAL PLACE = +/- 0.25mm
 2 DECIMAL PLACES = +/- 0.05mm

ANGULAR:- +/- 0.5 DEGREE

A01.01		-		DRAWN: nickp		APPD: -		DATE: 27/05/2009		PRINT SIZE: A3		NOT TO SCALE		MATERIAL:-		ITEM No(s):-	
REVISION: CHANGE DETAIL:		1		ST_Numatic_A3.sldprt 20030224		3		4		5		6		DRG No:- DRW-18150			

THIS DRAWING IS COPYRIGHT AND IS THE PROPERTY OF NUMATIC INTERNATIONAL LTD. AND MUST NOT BE USED WITHOUT THEIR KNOWLEDGE NOR COMMUNICATED TO ANY PERSON OR COMPANY.