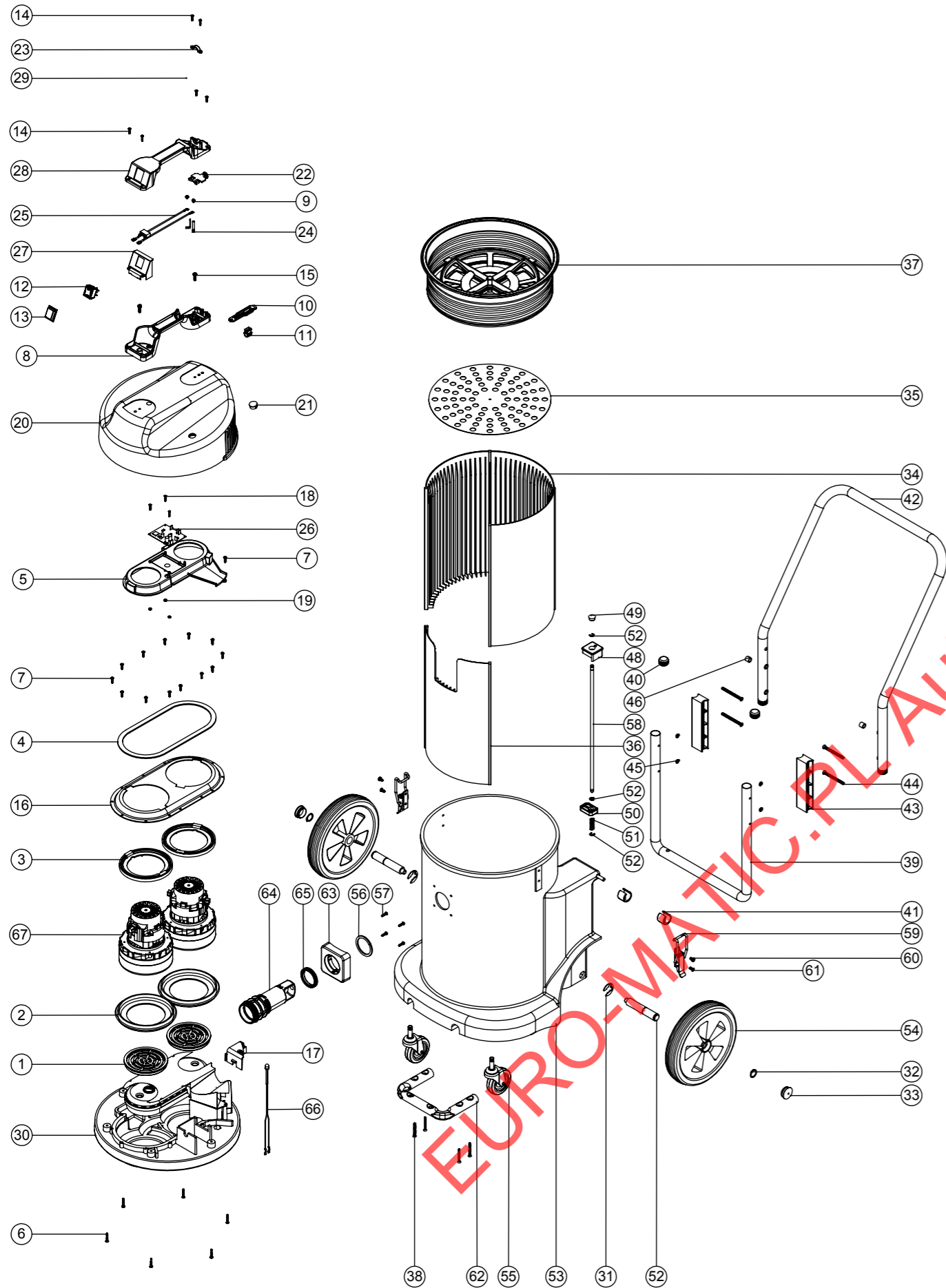


# Numatic International Spare Parts

## Model No: NDD 900 ASSEMBLY DRAWING

NB: FOR WIRING SEE DRAWING: DRW-4345 (220/240V) DRW-5823 (120V)

234686  
DRAWING: DRW-4364 A02  
08/02/2012



# Numatic International Spare Parts

## Model No: NDD 900 ASSEMBLY DRAWING

ITEM:	PART No:	DESCRIPTION:	COMMENTS:
1	206010	FAN GUARD	
2	202005	MOTOR BOTTOM GASKET	
3	227925	TOP MOTOR GASKET (LAMB BYPASS MOTOR)	
4	202012	GASKET	
5	237067	DUPLEX AIR SEPERATOR (FINE DUST SYSTEM)	
6	219369	NO8.1 INCH LG.POZI-PAN.SCREW.STAINLESS STEEL.PLASTITE	
7	219370	NO8.5/8" LG.POZI-PAN.SCREW.STAINLESS STEEL.PLASTITE	
8	320686	HANDLE BASE MOULDING (SOCKET) PLUS INSERTS	UK, EURO, SWISS
	320835	HANDLE BASE MOULDING + INSERTS (3 CORE)	AUSTRALIA
	320954	HANDLE BASE MOULDING (SOCKET)+ INSERTS V2 (PLASTIC HEAD)	USA
9	219090	M4.8MM LG.POZI-PAN.SCREW.Z/PL.SEM.	
10	227636	STRAIN RELIEF ARM (SOCKET)	
11	227637	CABLE CLIP (SOCKET)	
12	220552	RED ROCKER SWITCH (WHITE PRINT)	
13	206573	SWITCH COVER (PLUG HANDLE)	
14	219107	NO6.5/8 INCH LG.POZI-PAN.SCREW.Z/PL.PLASTITE	
15	219546	M5.20MM LG.POZI-PAN.SCREW.Z/PL.SEM	
16	225175	DUPLEX NDD TOP MOTOR HOUSING	
	325128	DUPLEX MOD TOP MOTOR HOUSING	USA, AUSTRALIA
17	237069	LED HOLDER (DUSTCARE SYSTEM)	
18	219038	M3.16MM LG.SLOT.SCREW.Z/PL	
19	219070	NUT.M3.NYLON INSERT.Z/PL	
20	323001	NDD COVER PROCESSED FOR LOW FLO LED	
21	220967	WINDOW PLUG (TYPE WP 750) HEYCO REF: 438 1309	
22	227631	TERMINAL COVER & CLAMP 3PIN	
23	216290	CABLE CLAMP 16A	
	220131	CABLE CLAMP	USA
	220541	CABLE STRESS RELIEF REF.PV1157	USA
24	206562	CONTACT PIN	
	206563	EARTH CONTACT PIN	AUSTRALIA
25	230151	SUPPRESSOR ASSEMBLY(NVP/2 WIRE)	EURO, SWISS
	220558	SUPPRESSOR ASSY (1.5MM)	UK, AUSTRALIA
26	230188	DUPLEX CONTROL BOARD PCB	
27	227635	SWITCH MOUNTING BRACKET 1 SWITCH	
28	229990	HANDLE COVER 16AMP 2PIN	UK, EURO, SWISS
	227621	HANDLE COVER 16AMP 3PIN 1 SWITCH	AUSTRALIA
	227662	HANDLE COVER HARD WIRE 1 SWITCH (FLAME RETARD)	USA
29	236144	10.0MT X 1.5MM X 2 CORE YELLOW CABLE (SOCKET + PLUG) EURO	
	236146	10.0MT X 1.5MM X 2 CORE CABLE (SOCKET + PLUG) UK	
	236147	10.0MT X 1.5MM X 2 CORE CABLE (SOCKET + PLUG) SWISS	
	236087	15.0MT X 1.5MM X 3 CORE CABLE (SOCKET + PLUG) AUSTRALIAN	
	236063	10.0MT X 3CORE X 14AWG (YELLOW) SJTW 5-15P PLUG CSA	
	205104	120V 2 STAGE BYPASS TAPER FAN MOTOR (BLT21101)	USA
30	301048	BOTTOM MOTOR HOUSING PUNCH WVD 14" 900 SERIES (DUPLEX)	
31	219306	E-CLIP (RSM/19)	
32	219308	CIRCLIP A20	
33	206131	PLASTIC CAP "BLACK" 804029	
34	229967	DRUM LINER (FOR ASSEMBLY VIEW)	
35	401447	DRUM BASE (FINE DUST VACUUM CLEANER) PAINTED GREY	
36	308000	DRUM LINER (FOR ASSEMBLY VIEW ONLY)	
37	604411	MICROTEX FILTER FOR 356MM MACHINE	
38	219316	NO10.43MM LG.POZI-PAN.COUNTERSUNK.SCREW.Z/PL.PLASTITE	
39	418960	LOWER HANDLE (PAINT BLACK)	
40	20637V	25.4MM TUBE END STOP	
41	206295	PLASTIC SADDLE FOOT	
42	329169	900 HANDLE ASSEMBLY	
43	206128	HANDLE BLOCK SPACER	
44	219422	M6.70MM LG.POZI-PAN.SCREW.Z/PL.C/SUNK	
45	219423	WASHER.M6.C/SUNK LOCK.Z/PL	
46	21985V	SPACER SCFX 2	
52	219307	E CLIP RSM/7	
48	206126	LOCKING BAR KNOB	
49	206132	PLASTIC CAP BLACK 10264	
50	206127	LOCKING BAR SUPPORT	
51	219312	COMPRESSION SPRING	
52	206137	STUB AXLE	
53	325131	NT 900 GREY DRUM PUNCH & INSERT	
54	204028	10 INCH WHEEL(BLACK/GREY) 20MM BORE	
55	204060	3 INCH STEM FITTING CASTOR	
56	202027	HOSE FLANGE GASKET	
57	219105	NO8.5/8 INCH LG.POZI-PAN.SCREW.Z/PL.PLASTITE	
58	206133	LOCKING BAR	
59	206135	TOGGLE FASTENER 30-1665 MSBL	
60	219047	M5.10MM LG.POZI-PAN.SCREW.Z/PL.SEM	
61	219330	M5.12MM LG.POZI-PAN.SCREW.Z/PL.C/SUNK	
62	418961	TOOL MOUNTING BAR (PAINT BLACK)	
63	237343	BAG CONNECTOR FRONT	
64	237342	BAG CONNECTOR TUBE	
65	202102	BAYONET SEAL	
66	230165	LOW FLOW LED LOOM	
67	205443	230V 2 STAGE D.I BYPASS ACUSTEK MOTOR (BL21104T) (MARKED 230V) TCO	



**WARNING**  
Seek guidance from Numatic team before use.  
Technical information supplied as guidance for use by suitably qualified personnel only.  
Numatic International Limited accepts no liability for misuse or negligence.

