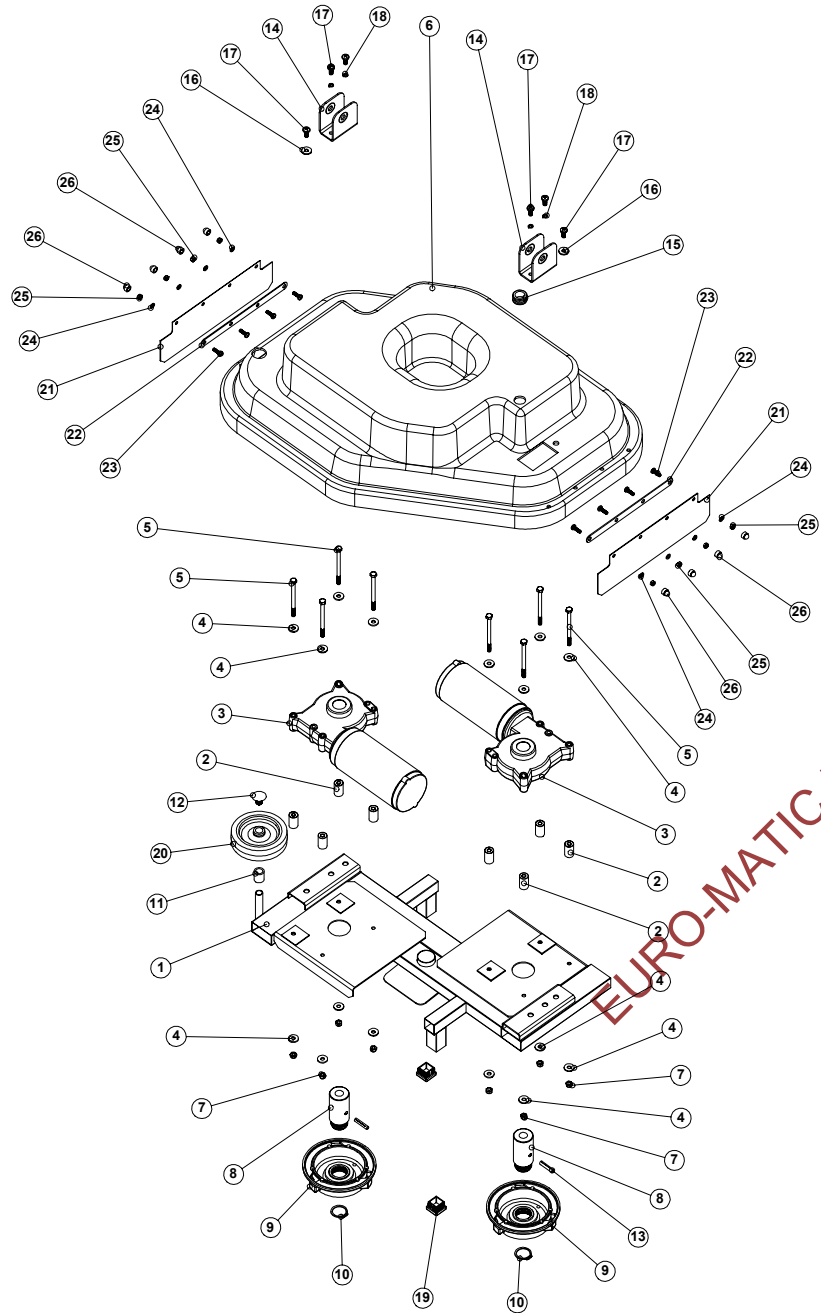


Numatic International Spare Parts
Model No:TTB665 MK2 Base Assembly

231913
 DRAWING: EXP400 ISS:02
 10/11/98



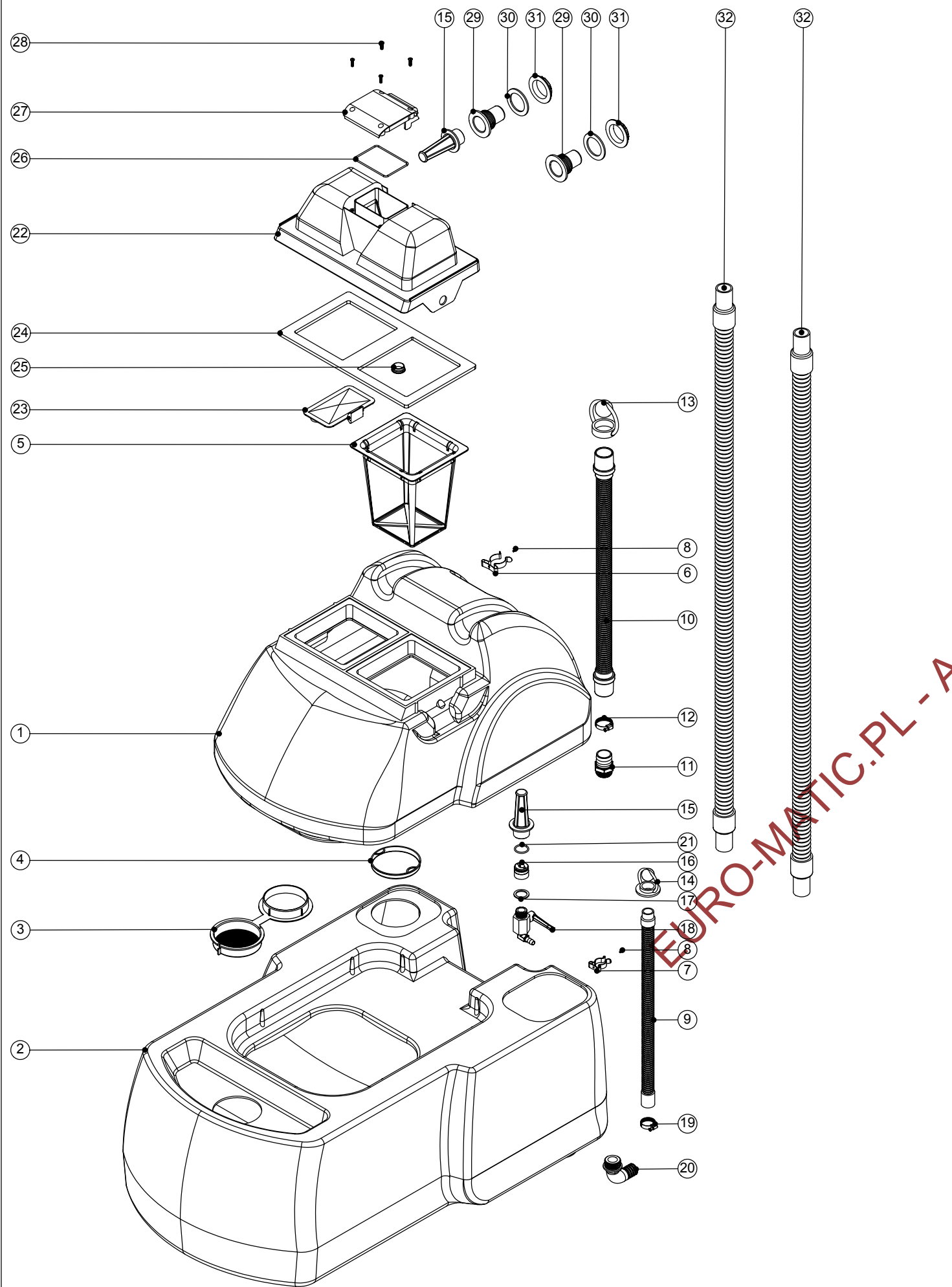
Numatic International Spare Parts
Model No:TTB665 MK2 Base Assembly

POS:	PART NO:	DESCRIPTION:	COMMENTS:
1	329628	WELDED BASE FRAME	
2	229284	MOTOR MOUNTING	
3	320447	MOTOR	
4	219008	M6 FORM G WASHER	
5	219550	M5 X 85MM LONG BOLT	
6	229353	BASE MOULDING	MK2
7	219642	M6 NYLOC NUT	
8	229201	DRIVE SHAFT	
9	230207	CHUCK	
10	230048	26MM EXTERNAL CIRCLIP	
11	229288	NYLON SPACER	
12	219638	FIR TREE BUTTON	
13	219523	GROOVED PIN	
14	403210	PIVOT BRACKET	
15	219637	20.6MM DIAMETER GROMMET	
16	219647	M6 FORM G STAINLESS STEEL WASHER	
17	219646	M5 X 15MM LONG POZI PAN SCREW	
18	219549	M6 SINGLE COIL SPRING WASHER	
19	20662V	1" SQUARE BLACK TUBE END STOP	
20	329112	100MM DIAMETER WHEEL	
21	229354	SPLASH SKIRT	
22	329136	FIXING BRACKET	
23	219547	M6 X 16MM LONG POZI PAN MACHINE SCREW	
24	219355	M5 FORM G STAINLESS STEEL WASHER	
25	219633	M5 NYLOC NUT	
26	219460	M5 HEX NUT CAP	

Numatic International Spare Parts

Model No:TT/TTB665/TTB665ST Tank & Separator Assy

231910
DRAWING: EXP-0397 ISS:A03
25/05/2004



Numatic International Spare Parts

Model No:TT/TTB665 Tank & Separator Assy

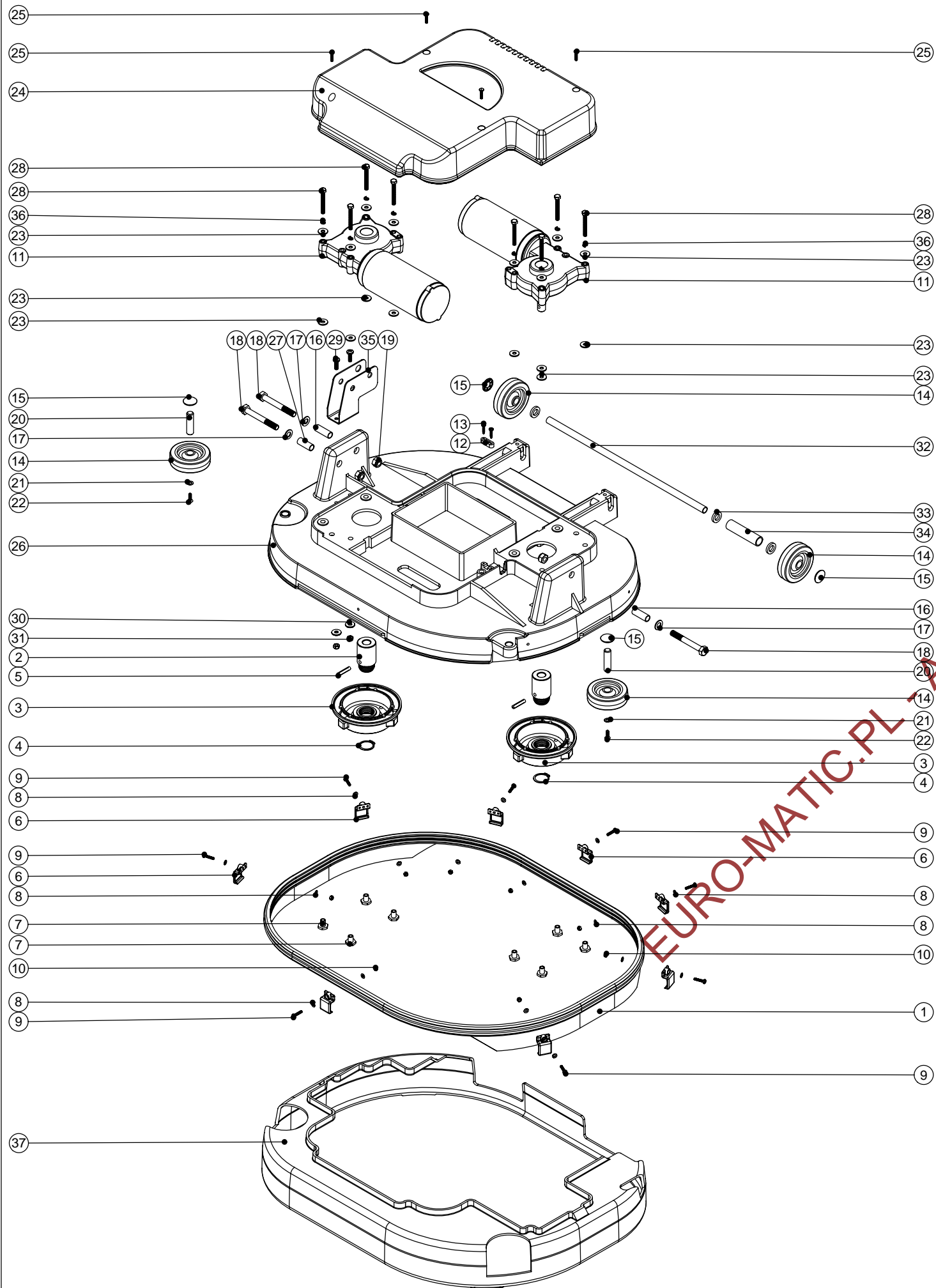
POS:	ITEM NO:	DESCRIPTION:	COMMENTS:
1	227246	GREY TOP TANK	
2	227247	GREY BOTTOM TANK	
3	229282	FILTER CAP	
4	219452	100MM DIA HOLE PLUG	
5	206439	TANK FILTER	
6	219665	TOOL CLIP	
7	219503	TOOL CLIP	
8	219641	M3 X 6MM LONG POZI PAN STAINLESS STEEL SCREW	
9	213021	DUMP HOSE ASSEMBLY	
10	213019	DUMP HOSE ASSEMBLY	
11	303466	STRAIGHT GREY HOSETAIL 1 INCH BSP X 25MM	
12	219674	30/40MM DIAMETER STAINLESS STEEL JUBILEE CLIP	
13	206111	HOSE CLOSURE	
14	206058	HOSE CLOSURE	
15	206265	BARREL FILTER	
16	206274	FILTER CONNECTOR	
17	202067	SEALING GASKET	
18	206598	TT/TTB665 TANK TAP	
19	219509	STAINLESS STEEL JUBILEE CLIP	
20	216211	90DEG HOSE TAIL CONNECTOR 1 INCH BSP X 25MM	
21	219626	23MM I/D X2.5MM SECTION O RING	
22	303381	SEPARATOR MOULDING DRILLED	
23	229224	FLOAT	
24	202075	TOP SEALING GASKET	
25	206315	TUBE END PLUG	
26	219562	35MM I/D O RING	
27	229226	SEPARATOR LID MOULDING	
28	219370	No8 X 5/8 INCH LONG PLASTITE STAINLESS STEEL SCREW	
29	206228	DRAIN HOSE CONNECTOR	
30	219810	RUBBER WASHER	
31	206116	BLACK NUT	
32	329671	HOSE ASSEMBLY	

EURO-MATIC.PL - Autoryzowany dystrybutor Numatic

Numatic International Spare Parts

Model No:TTB-665/TTB-6652/TTB-665ST/TTB-6652ST MK3 Base Assembly

234013
DRAWING: EXP-0444 ISS:A06
20/02/2006



Numatic International Spare Parts

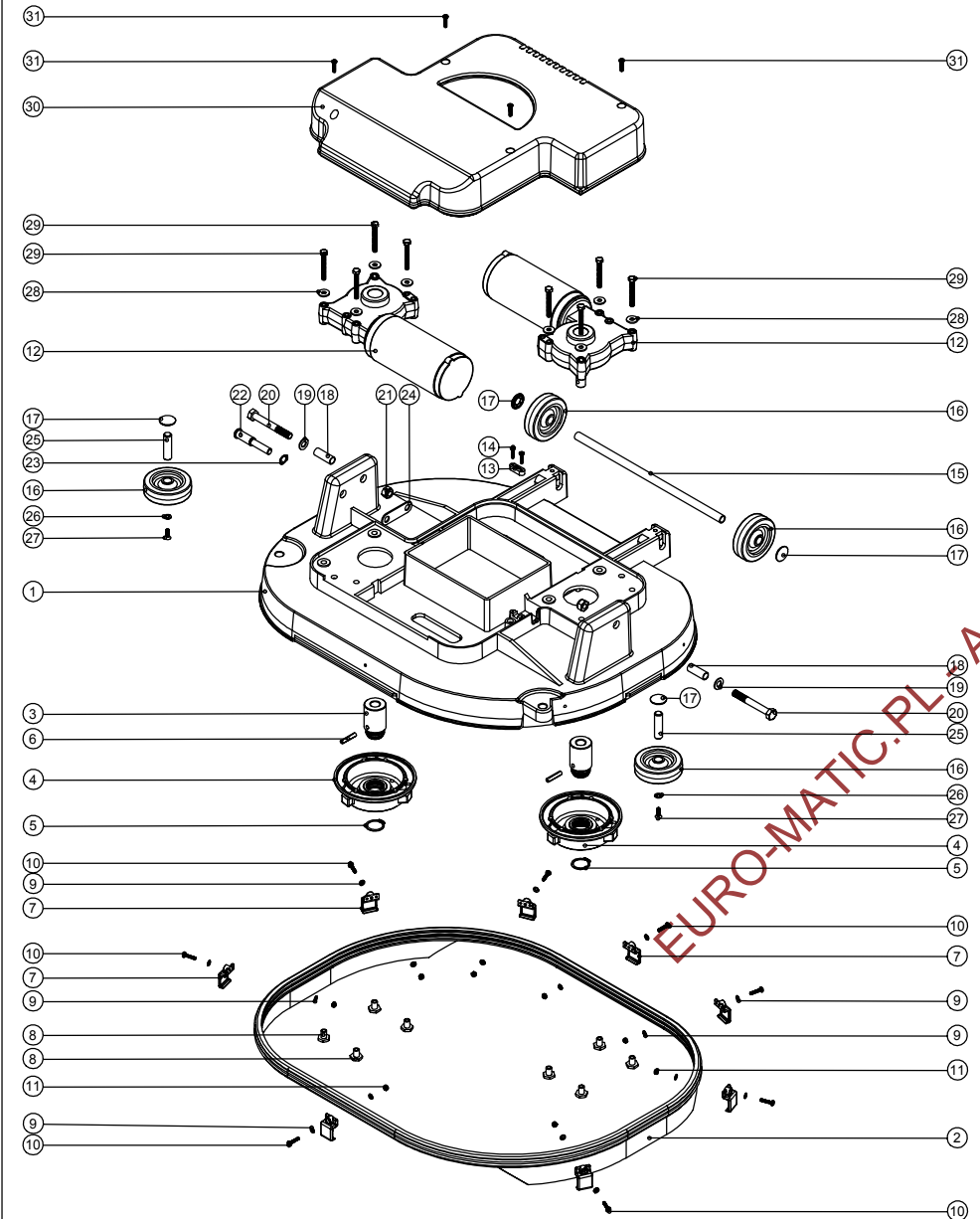
Model No:TTB-665/TTB-6652/TTB-665ST/TTB-6652ST MK3 Base Assembly

POS:	ITEM NO:	DESCRIPTION:	COMMENTS:
1	229373	SPLASTICH SKIRT	TTB-665 / TTB-665ST MACHINES
2	229182	DRIVE SHAFT	
3	230207	CHUCK	
4	230048	26MM EXTERNAL CIRCLIP	
5	219523	GROOVED PIN	
6	229365	FIXING CLIP	TTB-665 / TTB-665ST MACHINES
7	219606	BRACKET SPACER	
8	219688	M4 FORM A STAINLESS STEEL WASHER	TTB-665 / TTB-665ST MACHINES
9	219686	M4 X 20MM LONG STAINLESS STEEL POZI PAN MACHINE SCREW	TTB-665 / TTB-665ST MACHINES
10	219687	M4 NYLON INSERT STAINLESS STEEL NUT	TTB-665 / TTB-665ST MACHINES
11	320447	24V DC MOTOR/GEARBOX ASSEMBLY	
12	227008	BLACK CABLE CLAMP	
13	219107	No6 X 5/8 INCH LONG POZI PAN PLASTITE SCREW	
14	204068	3 INCH GREY WHEEL	
15	204021	12.7MM (STAINLESS STEEL) HUB CAP	
16	390864	35MM LONG TUBE	
17	219449	M10 FORM A WASHER	
18	219446	M10 X 80MM LONG HEX BOLT	
19	219649	M10 NYLON INSERT NUT	
20	206013	BUFFER WHEEL PIN	
21	219560	M6 FORM B STAINLESS STEEL WASHER	
22	219572	M5 X 16MM LONG POZI PAN COUNTERSUNK STAINLESS STEEL SCREW	
23	219008	M6 FORM G WASHER	TTB-665ST / TTB-6652ST MACHINES
24	229375	LID MOULDING	
25	219568	No8 X 3/4 INCH LONG POZI PAN STAINLESS STEEL SCREW	
26	329212	PROCESSED GREY BASE MOULDING	
27	390858	32MM LONG SPACER	
28	219315	M6 X 50MM LONG BOLT	
29	219701	M6 X 20MM LONG POZI PAN STAINLESS STEEL SCREW	
30	219647	M6 FORM G STAINLESS STEEL WASHER	
32	390797	1/2 INCH DIA X 18G STAINLESS STEEL TUBE X 412MM LONG	TTB-665ST / TTB-6652ST MACHINES
31	390859	1/2 INCH DIA X 18G STAINLESS STEEL TUBE X 325MM LONG	TTB-665 / TTB-6652 MACHINES
33	219642	M6 STAINLESS STEEL NYLON INSERT NUT	
33	229346	SPACER	
34	390798	19MM O/D X 14G X 78MM LONG STAINLESS STEEL TUBE	TTB-665ST / TTB-6652ST MACHINES
35	303472	LOCKING BRACKET	
36	219718	M6 STAINLESS STEEL SPRING WASHER	
37	229575	PROCESSED SPLASH SKIRT MOULDING	TTB-6652 / TTB-6652ST MACHINES

EURO-MATIC.PL Autoryzowany dystrybutor Numatic

Numatic International Spare Parts
Model No:TTB665 MK3 Base Assembly

234013
 DRAWING: EXP444 ISS:A01
 08/09/99



Numatic International Spare Parts
Model No:TTB665 MK3 Base Assembly

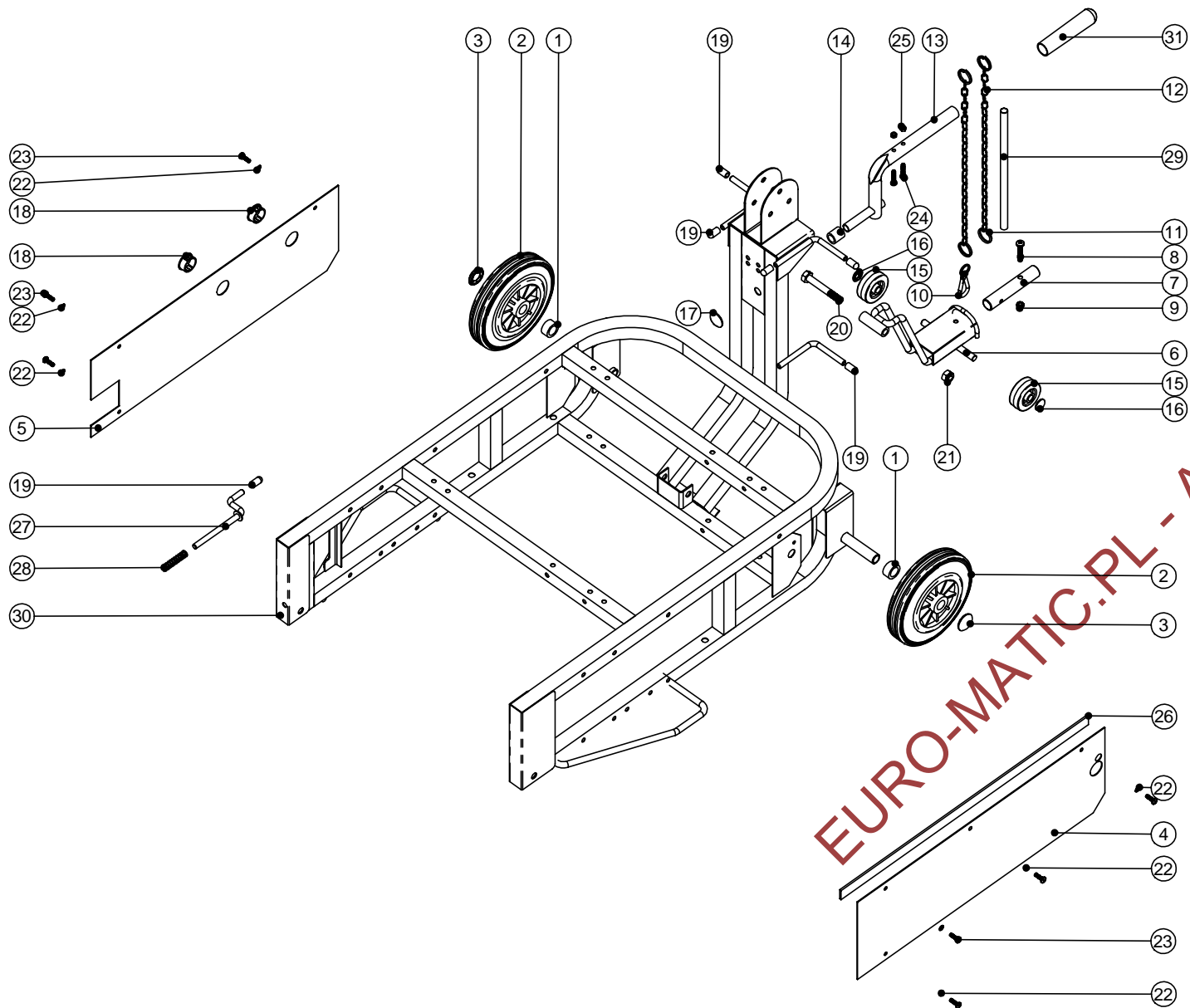
POS	PART NO	DESCRIPTION:	COMMENTS:
1	229374	GREY BASE MOULDING	
2	229373	SPLASH SKIRT	
3	229182	DRIVE SHAFT	
4	230207	CHUCK	
5	230048	26MM EXTERNAL CIRCLIP	
6	219523	GROOVED PIN	
7	229365	FIXING CLIP	
8	219606	BRACKET SPACER	
9	219688	M4 FORM A STAINLESS STEEL WASHER	
10	219686	M4 X 20MM LONG POZI PAN STAINLESS STEEL SCREW	
11	219687	M4 NYLON INSERT STAINLESS STEEL NUT	
12	320447	24V MOTOR	
13	227008	CABLE CLAMP	
14	219107	No6 X 5/8" LONG PLASTITE SCREW	
15	390859	325MM LONG AXLE TUBE	
16	303247	100MM DIAMETER WHEEL	
17	204021	12.7MM HUB CAP	
18	390864	35MM LONG TUBE	
19	219449	M10 FORM A WASHER	
20	219446	M10 X 80MM LONG BOLT	
21	219649	M10 NYLON INSERT NUT	
22	229372	LOCKING PIN	
23	219151	13MM EXTERNAL CIRCLIP	
24	303465	LINK BRACKET	
25	206013	BOILER WHEEL PIN	
26	219560	M6 FORM B STAINLESS STEEL WASHER	
27	219572	M6 X 16MM LONG STAINLESS STEEL COUNTERSUNK SCREW	
28	219068	M6 FORM G WASHER	
29	219316	M6 X 50MM LONG BOLT	
30	229375	LID MOULDING	
31	219568	No8 X 3/4" LONG PLASTITE SCREW	

EURO-MATIC.PL Autoryzowany Dystrybutor Numatic

Numatic International Spare Parts

Model No: TTB665ST CHASSIS ASSEMBLY

234088
DRAWING: EXP519 ISS:A01
30/03/01



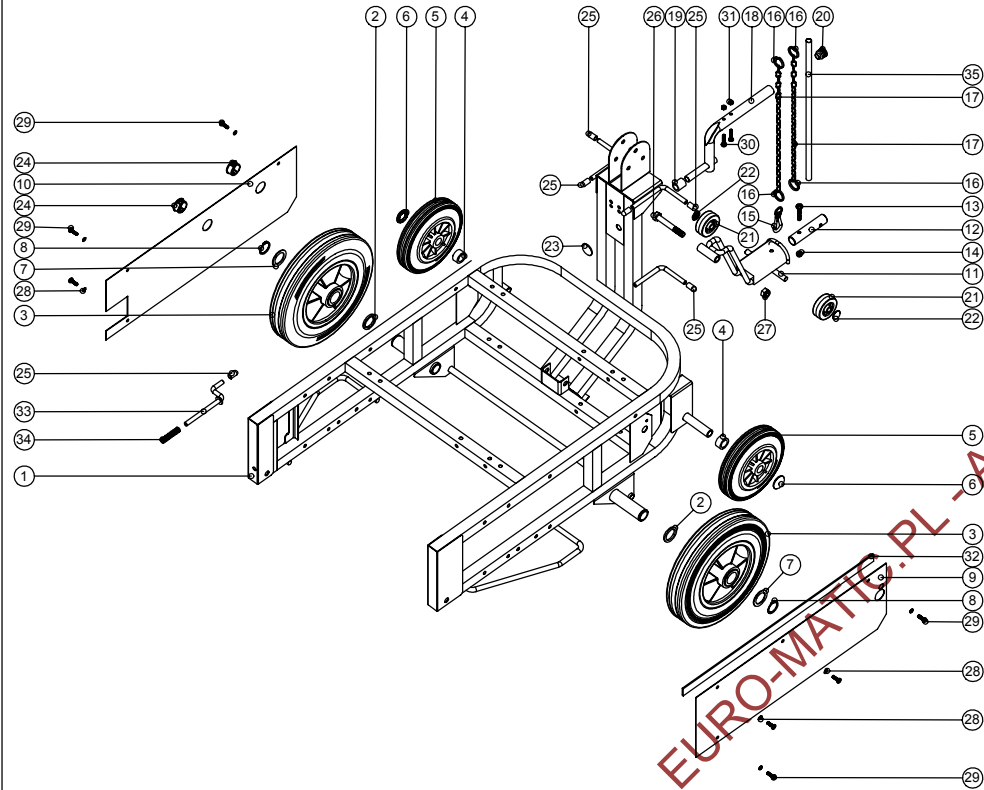
Numatic International Spare Parts

Model No: TTB665ST CHASSIS ASSEMBLY

POS:	ITEM NO:	DESCRIPTION:	COMMENTS:
1	219545	WHITE SPACER	
2	229049	160MM DIAMETER WHEEL	
3	229266	16MM CAP	
4	429030	LEFTHAND SIDEPLATE	
5	429059	RIGHTHAND SIDE PLATE	
6	329632	FLOOR TOOL WELDED CONNECTOR ASSEMBLY	
7	329163	PIVOT BOSS	
8	219643	M6 X 35MM LONG POZI PAN SCREW	
9	219642	M6 NYLOC NUT	
10	229292	50MM SWIVEL HOOK	
11	229293	1" SPLIT RING	
12	229289	540MM LONG CHAIN	
13	329675	FLOOR TOOL LIFT HANDLE WELDED ASSEMBLY	
14	229288	NYLON SPACER	
15	215006	50MM WHEEL BLACK (GREY TYRE)	
16	229290	3/8" STAINLESS CAP	
17	204021	12.7MM HUB CAP	
18	206314	PLASTIC WINDOW	
19	229240	END TIP	
20	219570	M10 X 70MM LONG BOLT	
21	219649	M10 NYLON INSERT NUT	
22	219016	M5 SHAKEPROOF WASHER	
23	219547	M5 X 16MM LONG POZI PAN SCREW	
24	219575	M5 X 25MM LONG POZI DRIVE SCREW	
25	219633	M5 NYLON INSERT NUT	
26	212024	530MM LONG INSEAL STRIP	
27	303406	LATCHING ROD WELDED ASSEMBLY	
28	219576	STAINLESS STEEL COMPRESSION SPRING	
29	219660	PVC SLEEVING	
30	329192	TTB665 CHASSIS W/A	
31	229344	3/4" GREY HANDLE GRIP	

Numatic International Spare Parts
Model No:TTB665 Chassis Assembly

231912
 DRAWING: EXP399 ISS:A04
 11/10/99



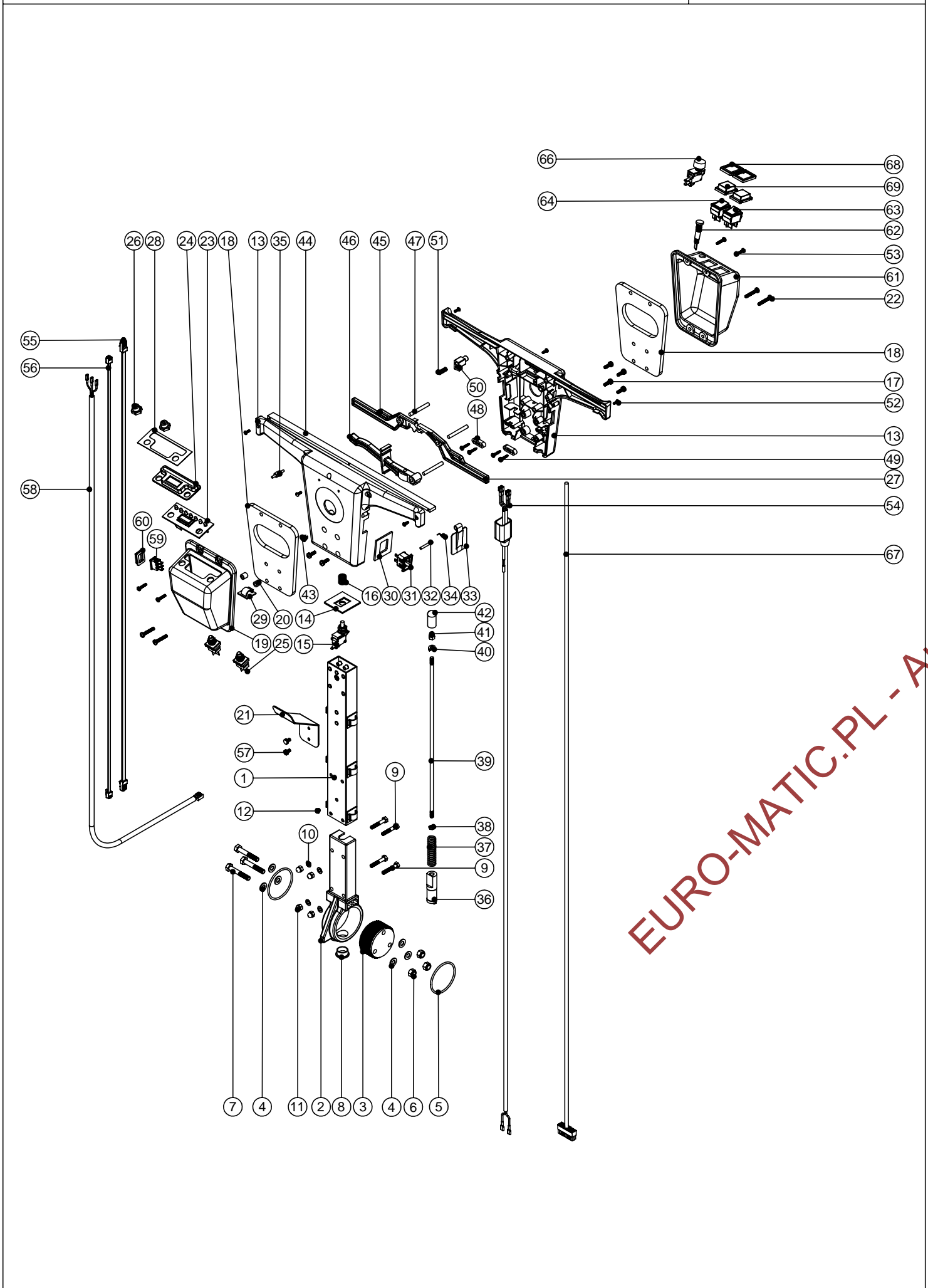
Numatic International Spare Parts
Model No:TTB665 Chassis Assembly

POS	PART NO	DESCRIPTION:	COMMENTS:
1	329994	NUTSERTED CHASSIS ASSEMBLY	
2	219628	PLASTIC WASHER	
3	229265	250MM DIAMETER WHEEL	
4	219545	WHITE SPACER	
5	229049	160MM DIAMETER WHEEL	
6	229266	16MM CAP	
7	219629	PLASTIC WASHER	
8	219627	25MM EXTERNAL CIRCILP	
9	329030	LEFTHAND SIDEPLATE	
10	429059	RIGHTHAND SIDE PLATE	
11	329632	FLOOR TOOL WELDED CONNECTOR ASSEMBLY	
12	329664	PIVOT BOSS	
13	219643	M6 X 35MM LONG POZI PAN SCREW	
14	219642	M6 NYLOC NUT	
15	229292	50MM SWIVEL HOOK	
16	229293	1" SPLIT RING	
17	229289	540MM LONG CHAIN	
18	329675	FLOOR TOOL LIFT HANDLE WELDED ASSEMBLY	
19	229288	NYLON SPACER	
20	20638V	TUBE END STOP	
21	215006	50MM DIAMETER WHEEL	
22	229290	3/8" STAINLESS CAP	
23	204021	12.7MM HUB CAP	
24	206314	PLASTIC WINDOW	
25	229240	END TIP	
26	219570	M10 X 70MM LONG BOLT	
27	219649	M10 NYLON INSERT NUT	
28	219016	M5 SHAKEPROOF WASHER	
29	219517	M5 X 16MM LONG POZI PAN SCREW	
30	219575	M5 X 25MM LONG POZI DRIVE SCREW	
31	219633	M5 NYLON INSERT NUT	
32	212024	530MM LONG INSEAL STRIP	
33	303406	LATCHING ROD WELDED ASSEMBLY	
34	219576	STAINLESS STEEL COMPRESSION SPRING	
35	219660	PVC SLEEVING	

Numatic International Spare Parts

Model No: TTB665ST HANDLE ASSEMBLY

234090
DRAWING: EXP0521 ISS:A01
06/04/01



Numatic International Spare Parts

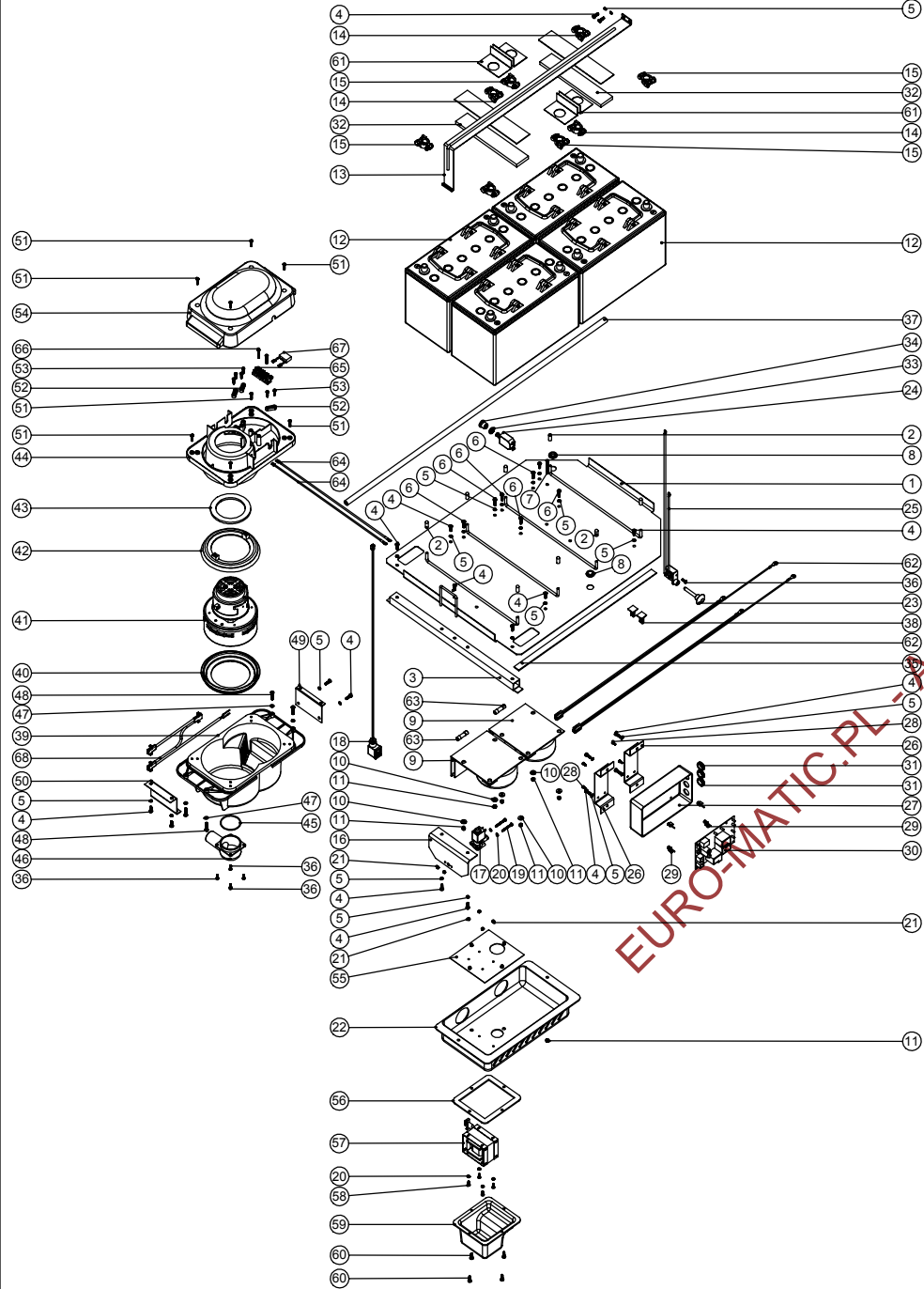
Model No: TTB665ST HANDLE ASSEMBLY

POS:	ITEM NO:	DESCRIPTION:	COMMENTS:
1	429029	ALUMINIUM HANDLE	
2	229081	HANDLE CASTING	
3	229074	ADJUSTMENT GEAR	
4	219010	M8 FORM A WASHER	
5	219254	O-RING	
6	219078	M8 STIFFNUT	
7	219091	M8 X 50MM LONG HEX HEAD BOLT	
8	229099	25MM DIAMETER HOLE PLUG	
9	219064	M6 X 35MM LONG HEX HEAD BOLT	
10	219007	M6 FORM B WASHER	
11	219080	M6 DOMENUT	
12	229009	HOLE BLANKING PLUG	
13	329089	FRONT HANDLE MOULDING	
14	229011	SWITCH PLATE	
15	220598	PUSH BUTTON MICRO SWITCH	
16	229028	SPRING	
17	219045	M5 X 16MM LONG POZI PAN SEMS SCREW	
18	220808	SWITCH COVER GASKET	
19	229380	SWITCH COVER	
20	219574	NYLON SPACER	
21	303464	BRACKET	
22	299020	M5 X 30MM LONG POZI PAN MACHINE SCREW	
23	220880	LED SWITCH PANEL	
24	206316	LENS MOULDING	
25	220597	PUSH BUTTON SWITCH	
26	220600	SWITCH COVER	
27	229000	LEFTHAND SWITCH LEVER	
28	220225	SELF ADHESIVE LENS GASKET	
29	220403	CABLE CLIP	
30	220390	SOCKET MOUNTING PLATE	
31	220408	APPLIANCE SOCKET	
32	229035	FLAP PIVOT PIN	
33	229032	FLAP	
34	229034	FLAP TORSION SPRING	
35	229033	BLANKING PIN	
36	229073	GEAR LOCKING PIN	
37	229138	SPRING	
38	219099	M6 HALF NUT	
39	229126	LOCKING ROD	
40	219017	M6 DOUBLE COIL SPRING WASHER	
41	219088	M6 STIFFNUT	
42	219607	RUBBER PROTECTION CAP	
43	220174	NEON INDICATOR RED LENS ONLY	
44	229076	SUPPORT STRIP	
45	229001	RIGHTHAND SWITCH LEVER	
46	229003	ADJUSTMENT LEVER	
47	229071	LEVER MOUNTING PIN	
48	227008	CABLE CLAMP	
49	219107	No6 X 5/8" LONG PLASTITE SCREW	
50	229066	RELEASE BUTTON	
51	219323	COMPRESSION SPRING	
52	219212	M3.5 X 10MM LONG TAPTITE SCREW	
53	219568	No8 X 3/4" LONG PLASTITE SCREW	
54	220823	A.C. CHARGING LEAD / NEON ASSEMBLY	
	220821	A.C. CHARGING LEAD / NEON ASSEMBLY	
55	220712	8 WAY CABLE	CSA SPEC MACHINES
56	220713	6 WAY CABLE	STANDARD SPEC MACHINES
57	219047	M5 X 10MM LONG POZI PAN SEMS SCREW	
58	320459	VAC FUNCTION LEAD ASSEMBLY	
59	220729	RED ROCKER SWITCH	
60	220246	PROTECTIVE COVER	
61	229385	SWITCH COVER	
62	220849	LED INDICATOR GREEN LIGHT 2V	
63	220843	BLUE ROCKER SWITCH	
64	220848	3 POSITION BLACK/RED SWITCH	
66	220847	PUSH BUTTON BLACK/GREEN MICROSWITCH	
67	220873	7 CORE CABLE ASSY (TTB 665/160ST) MK11	
68	220811	SWITCH SNAP ON FRAME	
69	220810	SWITCH SPLASH COVER	

Numatic International Spare Parts

Model No:TTB665/160 Vac Pod & Electrical Assy

231915
DRAWING: EXP402 ISS:A03
12/10/99



Numatic International Spare Parts

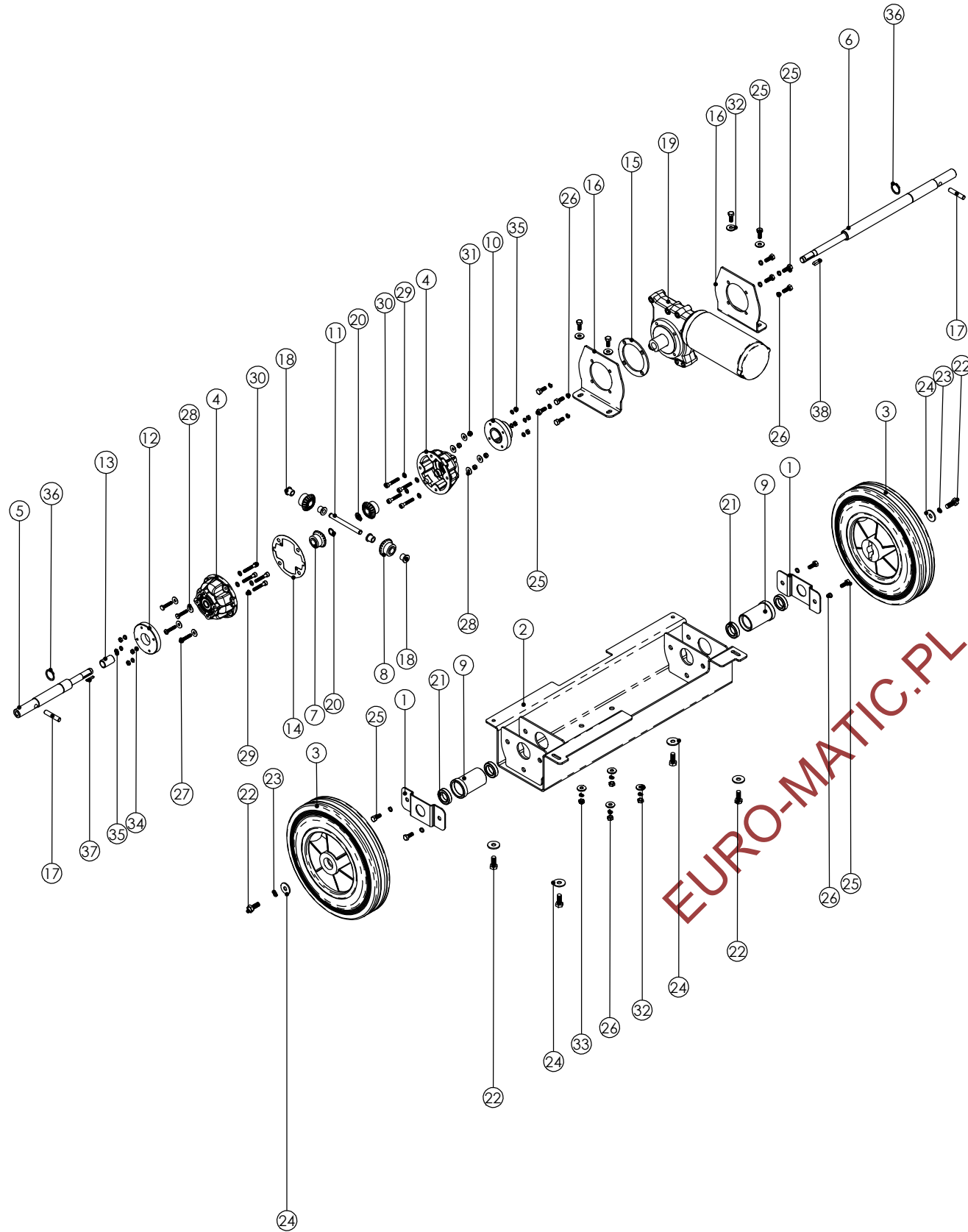
Model No:TTB665/160 Vac Pod & Electrical Assy

POS	PART NO	DESCRIPTION	COMMENTS
1	429038	BATTERY TRAY	
2	229006	END TIP	
3	329662	TRAY SUPPORT BRACKET	
4	219547	M5 X 16MM LONG POZI PAN SCREW	
5	219016	M5 SHAKEPROOF WASHER	
6	219571	M5 X 20MM LONG POZI HEAD STAINLESS STEEL SCREW	
7	219650	M5 X 40MM LONG POZI HEAD STAINLESS STEEL SCREW	
8	219459	GROMMET	
9	220752	230V CHARGER	STANDARD SPEC MACHINES
	220753	120V CHARGER	STANDARD SPEC MACHINES
	220754	100V CHARGER	STANDARD SPEC MACHINES
	304187	120V CHARGER	CSA SPEC MACHINES
10	219644	M5 FORM G WASHER	
11	219633	M5 NYLON INSERT NUT	
12	220453	12 VOLT 80AH BATTERY	
13	429034	BATTERY STRAP	
14	220454	POSITIVE BATTERY TERMINAL CONVERTOR	
15	220455	NEGATIVE BATTERY TERMINAL CONVERTOR	
16	329643	SOLENOID MOUNTING BRACKET	
17	220379	24 VOLT DC SOLENOID VALVE	
18	220716	SOLENOID VALVE PAD	
19	219622	M4 X 35MM LONG POZI PAN MACHINE SCREW	
20	219206	M4 1A TAB WASHER	
21	219083	M4 NYLON STIFFNUT	
22	229304	CHARGER COVER	230V MACHINES
	229269	CHARGER COVER	100V & 120V MACHINES
23	220681	ISOLATOR KNOB	
24	229272	50 AMP CIRCUIT BREAKER	
25	329123	ISOLATOR BLOCK ASSEMBLY	
26	320484	PCB MOUNTING PLATE	
27	229268	PCB COVER	
28	219301	No6 POZI PAN S/T SCREW X 9.5MM LONG	
29	220595	PCB QUICK RELEASE STAND-OFF	
30	220711	CONTROL PCB	
31	219631	19MM GROMMET	
32	229303	BATTERY PLATE PAD	
33	229271	SPLASH COVER	
34	229270	ACTUATOR EXTENSION	
35	212024	530MM LONG INSEAL	
36	219569	No8 X 1/2" LONG POZI PAN SCREW	
37	329122	760MM LONG SILICON TUBE	
38	219464	24MM HIGH PLASTIC CLIP	
39	229204	BOTTOM MOTOR HOUSING	
40	202077	BOTTOM MOTOR GASKET	
41	205066	24V BP MOTOR C/W PUSH ON TAGS LEAD ASSEMBLY	
42	202076	TOP MOTOR GASKET	
43	202078	MOTOR CAP GASKET	
44	229998	TOP MOTOR HOUSING C/W TAPPEX	
45	219561	O-RING	
46	229207	INLET TUBE MOULDING	
47	219003	M5 FORM A WASHER	
48	219575	M5 X 25MM LONG POZI DRIVE SCREW	
49	329640	REAR VAC POD BRACKET	
50	329641	FRONT VAC POD BRACKET	
51	219568	No8 X 3/4" LONG PLASTITE SCREW	
52	227008	CABLE CLAMP	
53	219107	No6 X 5/8" LONG PLASTITE SCREW	
54	229206	VAC POD TOP COVER MOULDING	
55	329666	CHOKER MOUNTING PLATE	230V MACHINE ONLY
56	229302	CHOKER GASKET	230V MACHINE ONLY
57	220731	CHOKER	230V MACHINE ONLY
58	221151	M4 X 12MM LONG POZI PAN SCREW	230V MACHINE ONLY
59	229301	CHOKER COVER	230V MACHINE ONLY
60	219636	M5 X 16MM LONG NYLON SCREW	
61	329670	BATTERY PROTECTION PLATE	
62	320484	DC CHARGER ASSEMBLY	
63	220993	16 AMP FUSE	STANDARD SPEC MACHINES
	220666	20 AMP FUSE	CSA SPEC MACHINES
64	320570	400MM LONG YELLOW LINK WIRE	
65	220204	TERMINAL BLOCK	
66	219321	M4 X 30MM LONG POZI PAN SCREW	
67	220834	SUPPRESSOR ASSEMBLY	
68	220833	A.C. CHARGING LEAD ASSEMBLY	230V STANDARD SPEC MACHINE
	220832	A.C. CHARGING LEAD ASSEMBLY	120V CSA SPEC MACHINE
	220835	A.C. CHARGING LEAD ASSEMBLY	120V STANDARD SPEC MACHINE

Numatic International Spare Parts

Model No: TTB665ST DRIVE ASSEMBLY

234086
DRAWING: EXP517 ISS:A01
25/03/01



Numatic International Spare Parts

Model No: TTB665ST DRIVE ASSEMBLY

POS:	ITEM NO:	DESCRIPTION:	COMMENTS:
1	329196	BEARING FIXING PLATE	
2	329199	TRANSAXLE ASSEMBLY	
3	204082	250MM WHEEL	
4	215224	DIFFERENTIAL CASE MOULDING - DRIVE END + BEARING	
5	206701	SHORT SHAFT	
6	206702	LONG SHAFT	
7	206502	MITRE GEAR WITH KEYWAY	
8	206503	MITRE GEAR	
9	206703	BEARING BUSH	
10	206704	DRIVE FLANGE	
11	206455	CROSS SHAFT	
12	206706	BEARING RETAINER FLANGE	
13	206707	SHAFT EXTENSION BUSH	
14	202093	GASKET	
15	329194	SPACER WASHER	
16	329201	MOTOR MOUNTING PLATE	
17	390526	8MM DRIVE PIN	
18	206458	FLANGED OILITE BUSH 8.0 BORE X 12MM LONG X 12MM DIAMETER	
19	320585	TRACTION DRIVE MOTOR ASSEMBLY C/W OVERLOAD	
20	219345	12mm EXTERNAL CIRCLIP	
21	206514	OILITE BEARING	
22	219717	M8 X 20MM LONG HEXAGONAL STAINLESS STEEL BOLT	
23	219019	M8 SINGLE COIL SPRING WASHER	
24	219716	M8 FORM G STAINLESS STEEL WASHER	
25	219719	M6 X 35MM LONG HEX HEAD BOLT	
26	219718	M6 STAINLESS STEEL SPRING WASHER	
27	219575	M5 X 25MM LONG POZI DRIVE SCREW	
28	219644	M5 FORM G WASHER	
29	219355	M5 FORM A STAINLESS STEEL WASHER	
30	219726	M5 X 16MM LONG POZI PAN SEMS SCREW	
31	219633	M5 NYLON INSERT NUT	
32	219647	M6 FORM G STAINLESS STEEL WASHER	
33	219499	M6 STAINLESS STEEL FULL NUT	
34	219648	M5 SINGLE COIL WASHER	
35	219721	M5 STAINLESS STEEL FULL NUT	
36	219724	20MM EXTERNAL CIRCLIP	
37	206456	FEATHER KEY ROUNDED ENDS (3x20) KK3-20	
38	206457	5MM X 5MM X 20MM FEATHER KEY	