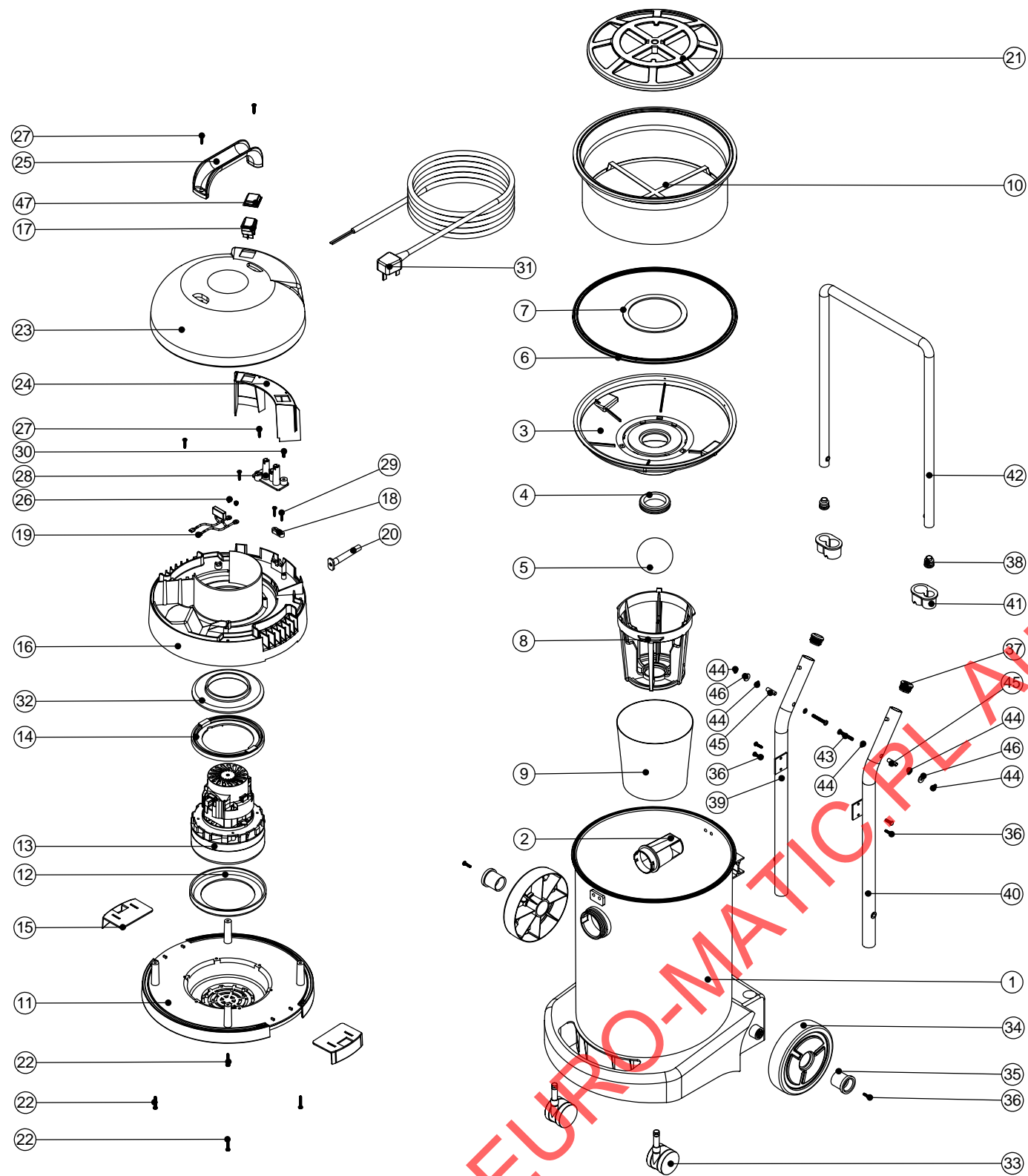


**Numatic International Spare Parts**

**Model No: WV470-2 EXPLODED DRAWING**

234339  
DRAWING: EXP-0770 ISS:A06  
14/08/2007



**Numatic International Spare Parts**

**Model No: WV470-2 EXPLODED DRAWING**

POS:	ITEM NO:	DESCRIPTION:	COMMENTS:
1	227193	BLUE CONTAINER	
	225902	GREEN CONTAINER	
	225281	GREY CONTAINER	
	225900	RED CONTAINER	
	225903	YELLOW CONTAINER	
2	225085	BAG CONNECTOR	
3	229635	FLOAT CAGE SUPPORT	
4	220235	FLOAT GROMMET	
5	206026	POLYPROP BALL	
6	207011	FLOAT CAGE GASKET	
7	225083	FLOAT ASSEMBLY GASKET	
8	225086	FLOAT CAGE	
9	207055	GAUZE FILTER	
10	207109	12 INCH FILTER (DOUBLE BOTTOM) 160GRM SMS	INCLUDES ITEM 21 (209050)
11	227921	BOTTOM MOTOR HOUSING	
12	202031	BOTTOM MOTOR GASKET	
13	205443	240V 2 STAGE D.I BYPASS ACUSTEK MOTOR (BL21104T) (MARKED 230V) TCO	
	205441	120V 2 STAGE D.I BYPASS ACUSTEK MOTOR (BL21101T)	
14	227925	TOP MOTOR GASKET	
15	227115	TOGGLE	
16	227923	TOP MOTOR HOUSING	
17	220843	BLUE ROCKER SWITCH	
18	227008	BLACK CABLE CLAMP	
19	220698	SUPPRESSOR ASSEMBLY	
20	220923	STRESS RELIEF	
21	209050	SINGLE FILTER GRID	
22	219369	No8 X 1 INCH LONG POZI PAN STAINLESS STEEL PLASTITE SCREW	
23	227919	SWITCH COVER TOP	
24	227927	SWITCH MOUNTING BRACKET	
25	206451	HANDLE	
26	219090	M4 X 8MM LONG POZI PAN SEMS SCREW	
27	219041	No8 X 3/4 INCH LONG POZI PAN SCREW	
28	220564	TERMINAL BLOCK MOULDING (2 INSERTS)	
29	219107	No6 X 5/8 INCH LONG POZI PAN PLASTITE SCREW	
30	219101	No8 X 1/2 INCH LONG POZI PAN PLASTITE SCREW	
31	236033	10.0M X 1.00MM X 2 CORE CABLE (UK PLUG)	
	236034	10.0M X 1.00MM X 2 CORE CABLE (EURO PLUG)	
	236036	10.0M X 1.00MM X 2 CORE CABLE (RSA PLUG)	
	236047	10.0M X 0.75MM X 2 CORE CABLE (SWISS PLUG)	
	236049	10.0M X 1.50MM X 2 CORE CABLE (INDUSTRIAL PLUG)	
32	227926	AIR SEPERATOR	
33	204111	50MM TWIN WHEEL CASTOR WITH PU TYRE	
34	204071	150MM DIAMETER MOULDED WHEEL	
35	227868	WHEEL HUB FOR 2 SHOT WHEEL	
36	219105	No8 X 5/8 INCH LONG POZI PAN PLASTITE SCREW	
37	20637V	25.4MM TUBE END STOP	
38	20638V	CSP-302 BLACK TUBE END STOP	
39	321000	NUTSERTED LEFT HAND HANDLE SUPPORT (PAINTED BLACK)	
40	321001	NUTSERTED RIGHT HAND HANDLE SUPPORT (PAINTED BLACK)	
41	206362	LOCKING RING	
42	321002	NUTSERTED PIVOT HANDLE (PAINTED BLACK)	
43	220033	M5 X 35MM LONG POZI PAN SCREW	
44	219003	M5 FORM A STEEL WASHER	
45	219567	SPIROL SPACER	
46	219005	M5 FORM G WASHER	
47	206573	SWITCH COVER (PLUG HANDLE)	