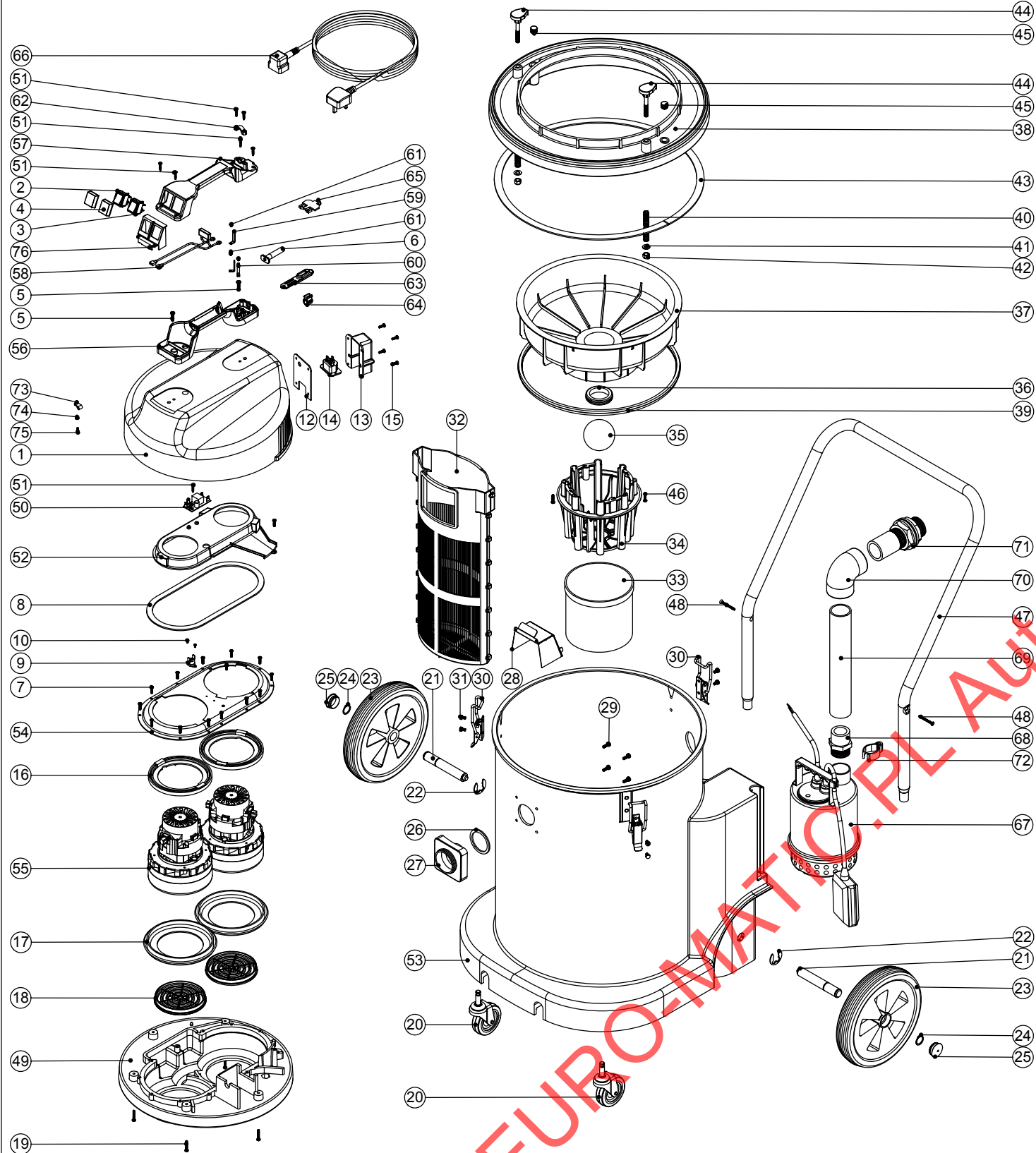


**Numatic International Spare Parts**

**Model No: WVD1800AP-2 EXPLODED DRAWING**

234297

DRAWING: EXP-0728 ISS:A02  
19/12/2005



**Numatic International Spare Parts**

**Model No: WVD1800AP-2 EXPLODED DRAWING**

POS:	ITEM NO:	DESCRIPTION:	COMMENTS:
1	301092	PROCESSED HEAD TOP	
2	220843	BLUE ROCKER SWITCH	
3	220582	GREEN ROCKER SWITCH	
4	220238	SWITCH BOOT	
5	219546	M5 X 20MM LONG POZI PAN SEMS SCREW	
6	220132	STRESS RELIEF SLEEVE	
7	219370	No8 X 5/8 INCH LONG PLASTITE STAINLESS STEEL SCREW	
8	202012	GASKET	
9	220532	THERMOSTAT	
10	219491	M5 X 3MM LONG POZI PAN TAPTITE SCREW	
11	219471	M4 X 12MM LONG POZI PAN SEMS SCREW	
12	202082	SOCKET COVER GASKET	
13	206511	SOCKET COVER	
14	229018	POWER TAKE OFF SOCKET	
15	219569	No8 X 1/2 INCH LONG POZI PAN STAINLESS STEEL TAPTITE SCREW	
16	227925	TOP MOTOR GASKET	
17	202005	MOTOR BOTTOM GASKET	
18	206010	FAN GUARD	
19	219369	No8 X 1 INCH LONG POZI PAN STAINLESS STEEL PLASTITE SCREW	
20	204060	3 INCH CASTOR	
21	206452	STUB AXLE	
22	219306	E-CLIP	
23	204028	10 INCH WHEEL	
24	219308	CIRCLIP	
25	206131	BLACK PLASTIC CAP	
26	202027	HOSE FLANGE GASKET	
27	214001	DIE CAST FLANGE	
28	303482	WATER DEFLECTOR	
29	219045	M5 X 16MM LONG POZI PAN SEMS SCREW	
30	206135	TOGGLE FASTENER	
31	219047	M5 X 10MM LONG POZI PAN SEMS SCREW	
32	207110	FILTER ASSEMBLY	
33	207073	GAUZE FILTER	
34	225130	MOULDED FLOAT CAGE	
35	206026	POLYPROP BALL	
36	220235	FLOAT GROMMET	
37	225101	FLOAT MOULDING	
38	226021	BOTTOM PLATE MOULDING	
39	202036	FLOAT MOULD EXTRUSION SEAL	
40	219418	COMPRESSION SPRING	
41	219010	M8 FORM A WASHER	
42	219078	M8 NYLON INSERT NUT	
43	212024	INSEAL	
44	206242	HOOKEED KNOB	
45	206243	RIBBED TUBE INSERT	
46	219568	No8 X 3/4 INCH LONG POZI PAN STAINLESS STEEL SCREW	
47	402100	BLACK HANDLE	
48	219316	No10 X 43MM LONG POZI PAN COUNTER SUNK PLASTITE SCREW	
49	301048	PROCESSED BOTTOM MOTOR HOUSING	
50	220555	230V DELAY START MODULE	
	220556	115V DELAY START MODULE	
51	219107	No6 X 5/8 INCH LONG POZI PAN PLASTITE SCREW	
52	227928	570 AIR SEPERATOR (LAMB BYPASS MOTOR DUPLEX)	
53	300139	WV1800AP GREY PROCESSED DRUM	
	300140	WV1800AP RED PROCESSED DRUM	
	300141	WV1800AP BLUE PROCESSED DRUM	
	300142	WV1800AP GREEN PROCESSED DRUM	
	300143	WV1800AP YELLOW PROCESSED DRUM	
54	325526	TOP MOTOR HOUSING (DUPLEX)	
55	205411	240V 2 STAGE D.I BYPASS ACUSTEK MOTOR (BL21104)(MARKED 230V)	
	205410	220V 2 STAGE D.I BYPASS ACUSTEK MOTOR (BL21102)(MARKED 230V)	
	205409	120V 2 STAGE D.I BYPASS ACUSTEK MOTOR (BL21101)	
56	320835	HANDLE BASE MOULDING + INSERTS	
57	227622	HANDLE COVER 10AMP 3PIN 2 SWITCH	
	227626	HANDLE COVER HARD WIRE 2 SWITCH	HARDWIRED VERSION
58	220142	SUPPRESSOR ASSEMBLY	
	220558	SUPPRESSOR ASSEMBLY	
59	206563	EARTH CONTACT PIN	
60	206562	CONTACT PIN	
61	219090	M4 X 8MM LONG POZI PAN SEMS SCREW	
62	227564	PLUG LOCATION CLAMP	
63	227636	STRAIN RELIEF	
64	227637	CABLE CLIP	
65	227631	TERMINAL COVER & CLAMP (3 PIN)	
66	236010	10.0M X 1.00MM X 3 CORE NUCABLE (UK PLUG)	
	236014	10.0M X 1.00MM X 3 CORE NUCABLE (EURO PLUG)	
	236018	10.0M X 1.00MM X 3 CORE NUCABLE (SWISS PLUG)	
	236022	10.0M X 1.00MM X 3 CORE NUCABLE (SOUTH AFRICA PLUG)	
	236030	10.0M X 1.00MM X 3 CORE NUCABLE (AUSTRALIAN PLUG)	
	220911	12.5MT X 3CORE X 2.5MM CABLE PLUS 32AMP INDUSTRIAL PLUG	HARDWIRED VERSION
67	225140	SUBMERSIBLE PUMP 240V/50HZ (EBARA)	
	225141	SUBMERSIBLE PUMP 110V/50HZ (EBARA)	
	225142	SUBMERSIBLE PUMP 110V/60HZ (EBARA)	
	225143	SUBMERSIBLE PUMP 220V/60HZ (EBARA)	
68	320897	1 1/4 INCH HEXAGON NIPPLE (MODIFIED)	
69	390935	270MM LONG TUBE	
	390935	270MM LONG TUBE	
70	206547	1 1/2 INCH ELBOW	
71	303547	1 1/2 TANK CONNECTOR MODIFICATION	
72	320898	HOSE CLIP (LESS RIB)	
73	226050	CABLE CLAMP (WHITE P CLIP)	
74	219688	M4 FORM A STAINLESS STEEL WASHER	
75	219301	No6 X 3/8 INCH LONG POZI PAN SELF TAP SCREW	
76	227629	SWITCH MOUNTING BRACKET	